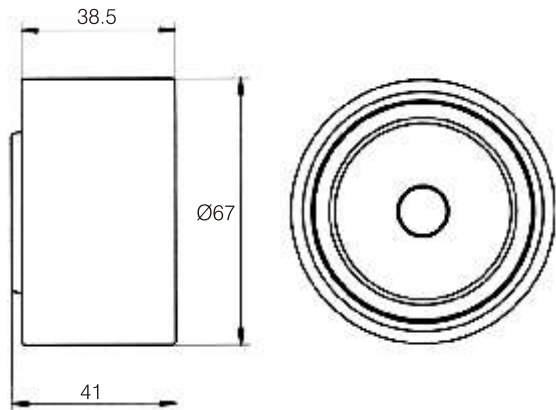


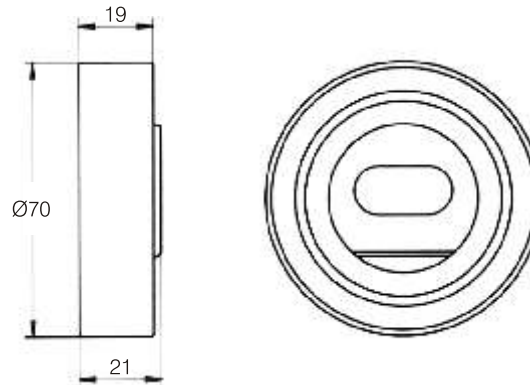
SCHEMATIC DIAGRAM

iCHIBAN

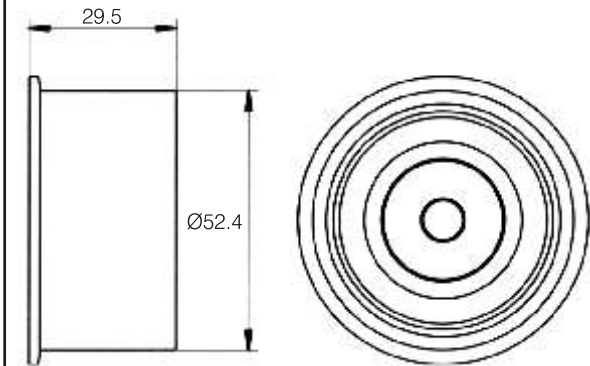
TIB-10010
GT90170



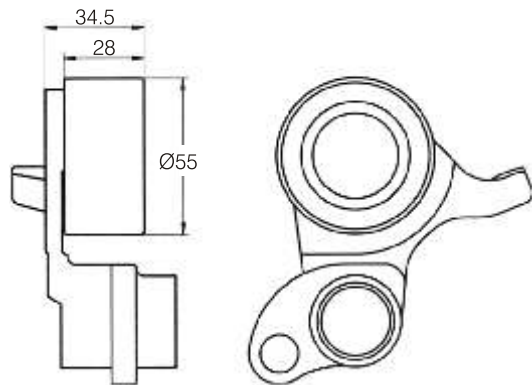
TIB-10020
GT90030



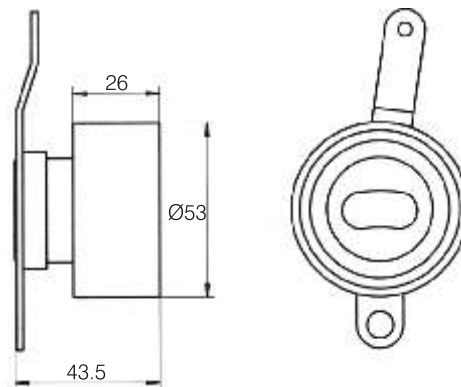
TIB-10030
GT90540



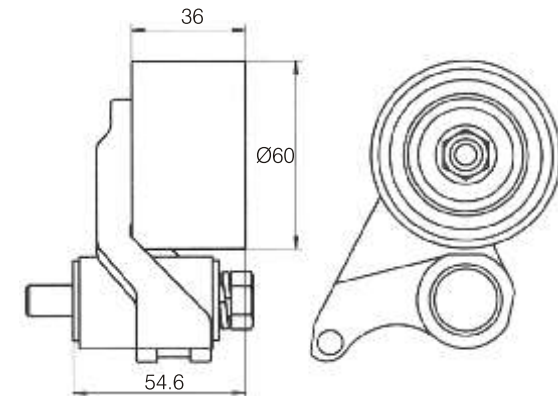
TIB-10040
GT90120



TIB-10050
GT90040



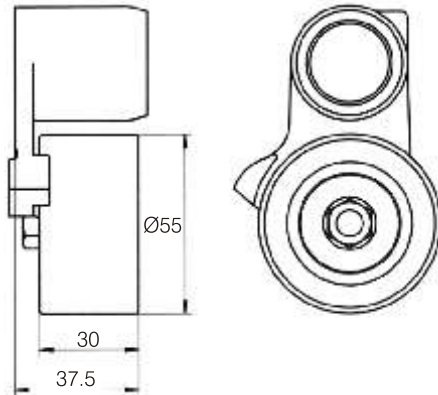
TIB-10060
GT90110



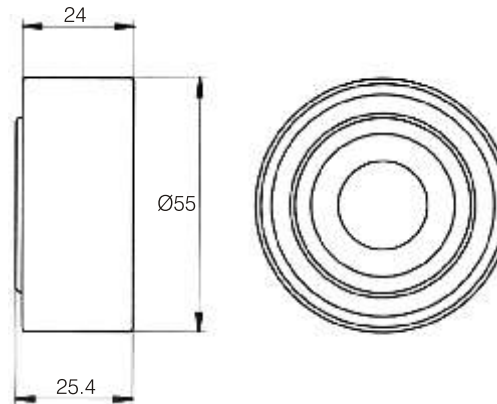
SCHEMATIC DIAGRAM

iCHIBAN

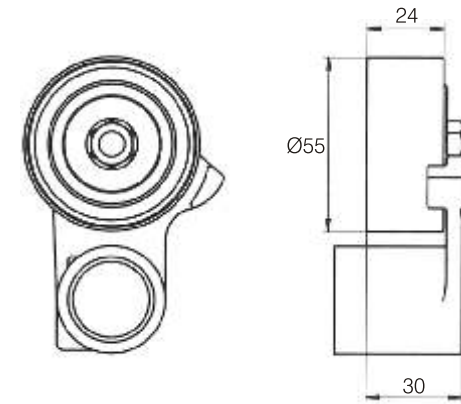
TIB-10070
GT90380



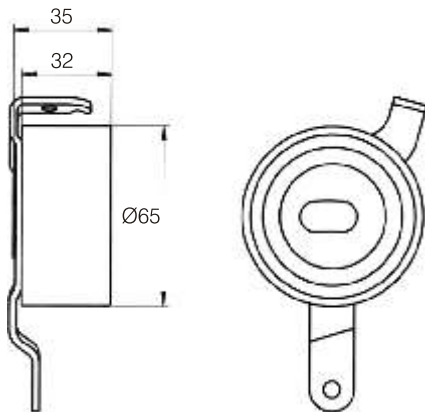
TIB-10080
GT90730



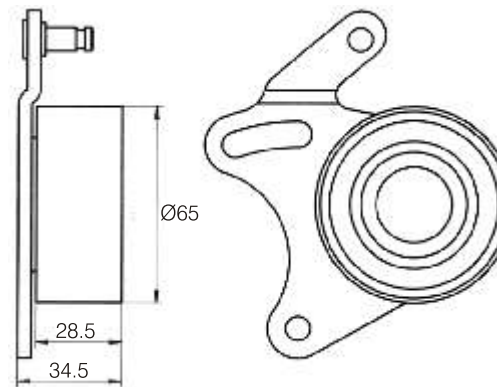
TIB-10090
GT90760



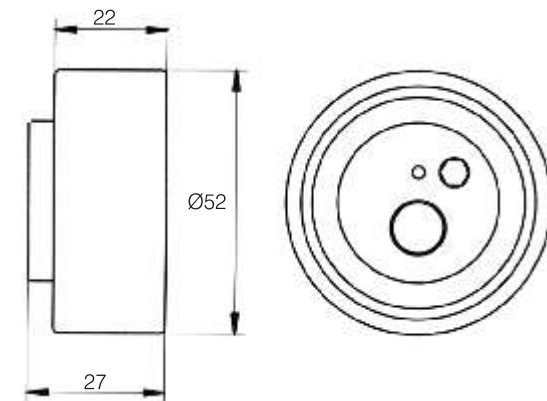
TIB-10100
GT90770



TIB-10110
GT90230



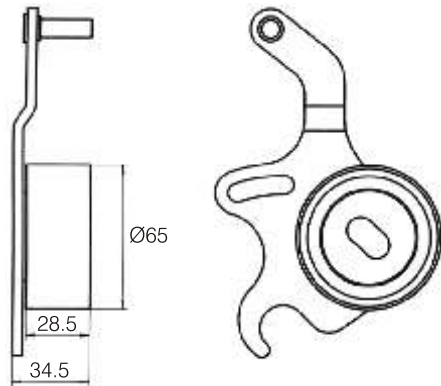
TIB-10120
GT90430



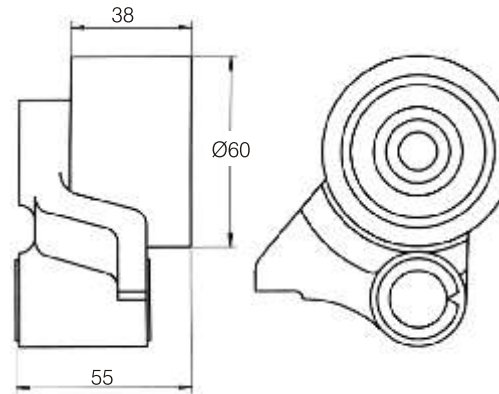
SCHEMATIC DIAGRAM

iCHIBAN

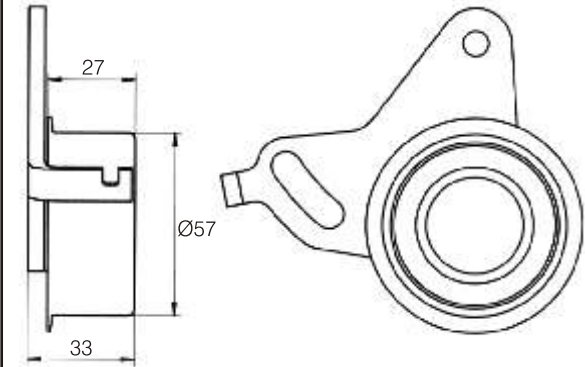
TIB-10130
GT90310



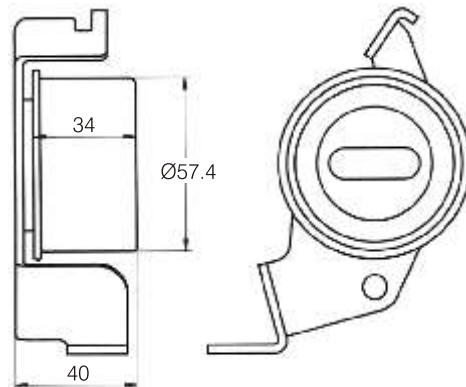
TIB-10140
GT90100



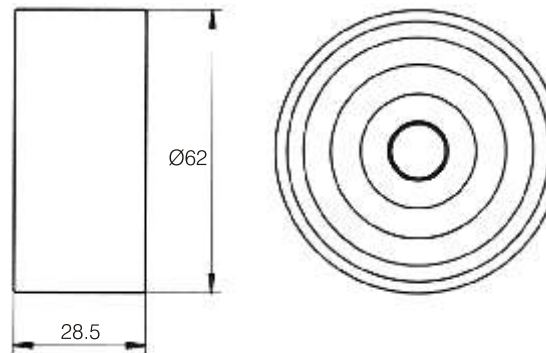
TIB-10150
GT90320



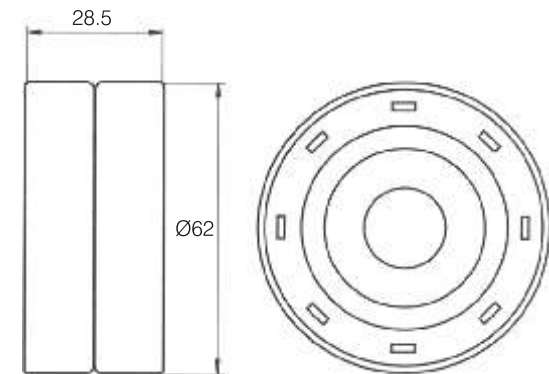
TIB-10160
GT90550



TIB-10170
GT90240

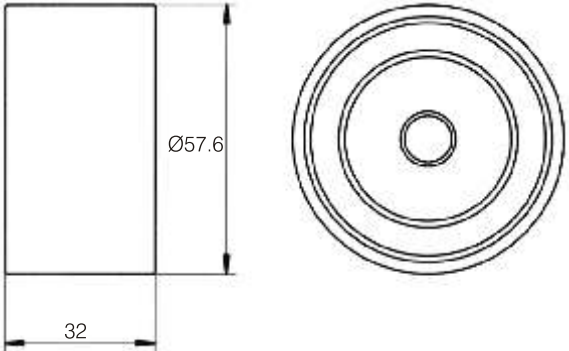


TIB-10170
GT80330

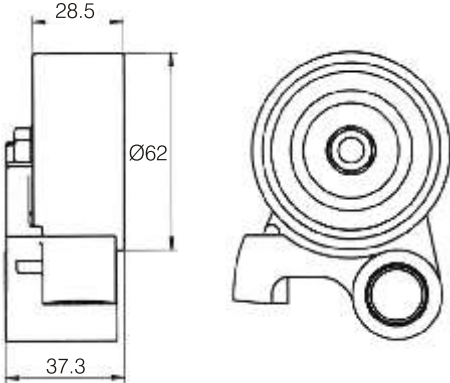


SCHEMATIC DIAGRAM

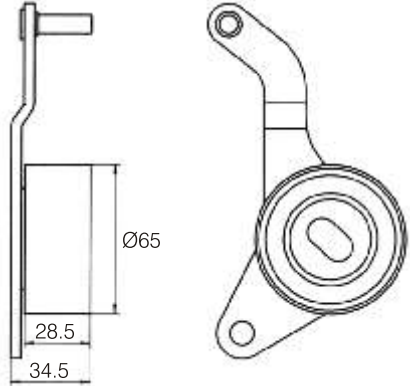
TIB-10180
GT90250



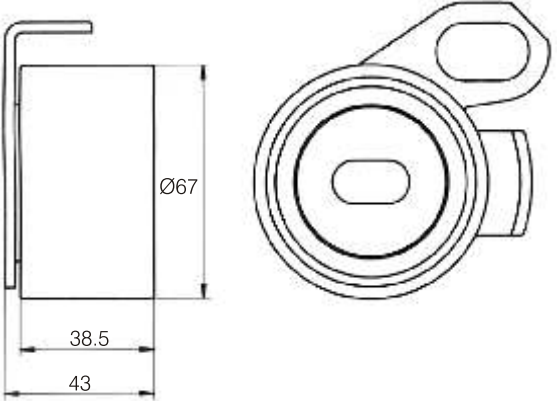
TIB-10190
GT90590



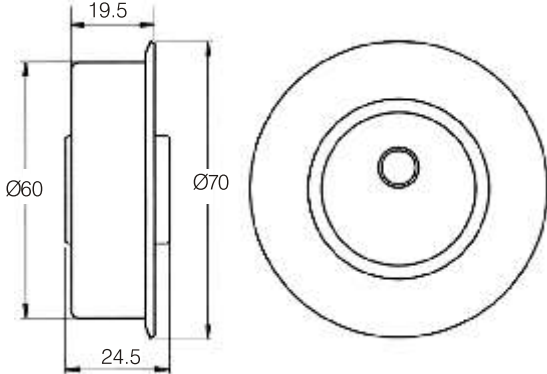
TIB-10200
GT90200



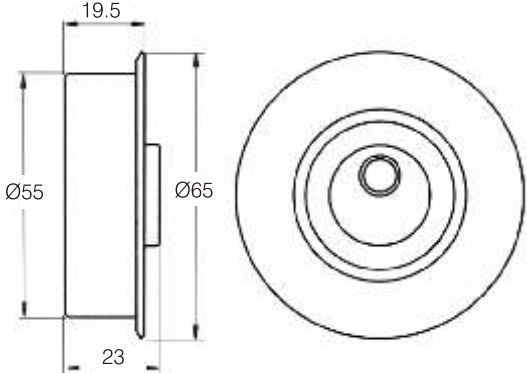
TIB-10240
GT90150



TIB-20010
GT10040



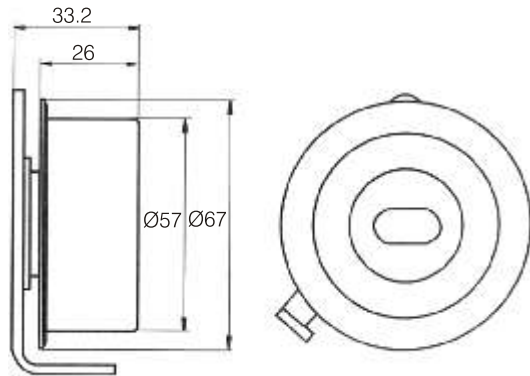
TIB-20020
GT10070



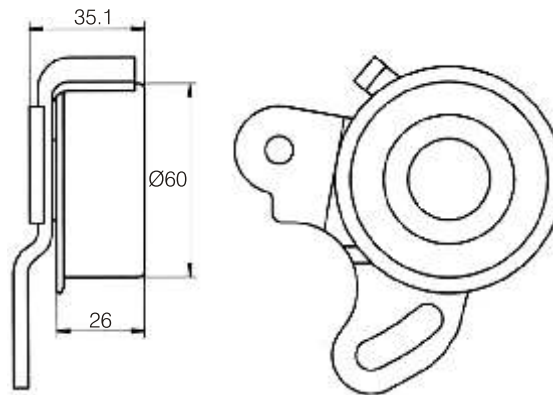
SCHEMATIC DIAGRAM

ICHIBAN

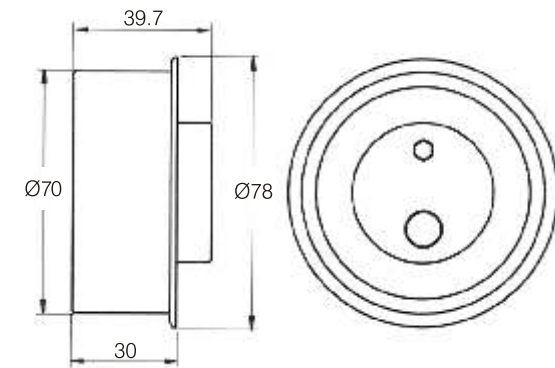
TIB-20040
GT10240



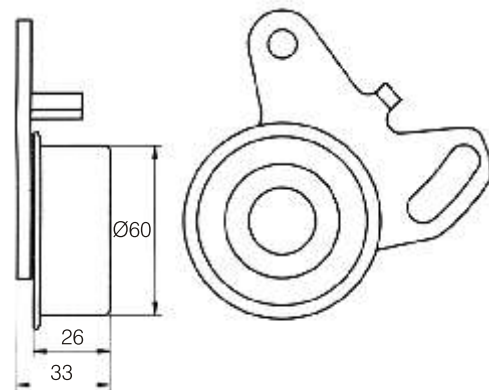
TIB-20050
GT10010



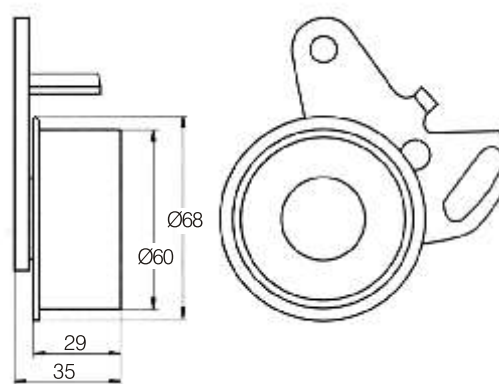
TIB-20060
GT10150



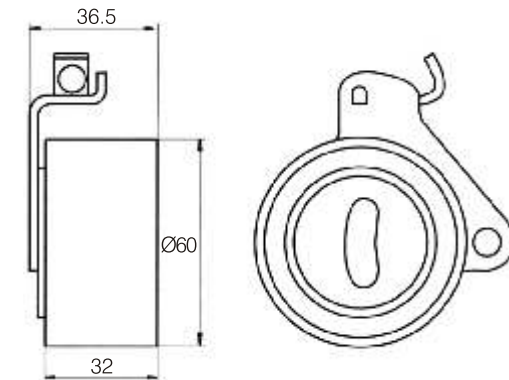
TIB-20070
GT10031



TIB-20080
GT10032



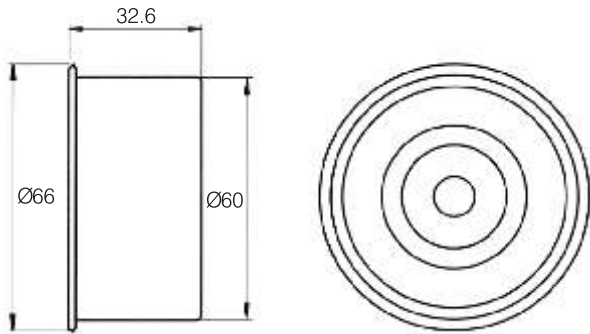
TIB-20090
GT10080



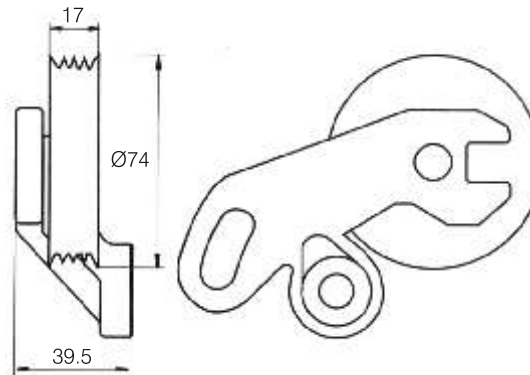
SCHEMATIC DIAGRAM

ICHIBAN

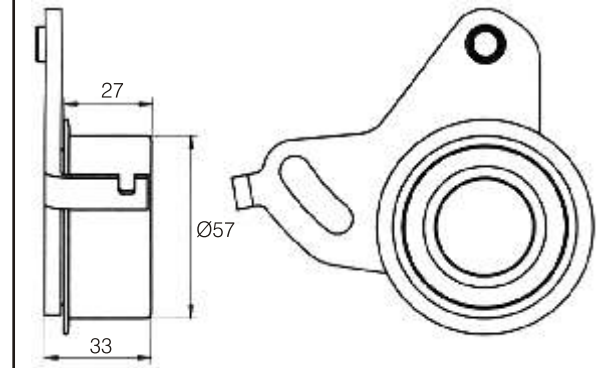
TIB-20100
GT10061



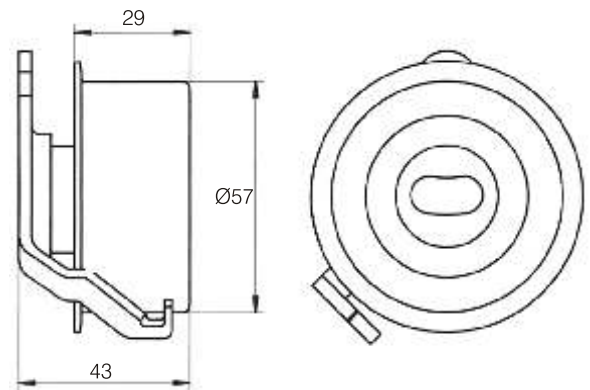
TIB-20110
GT10180



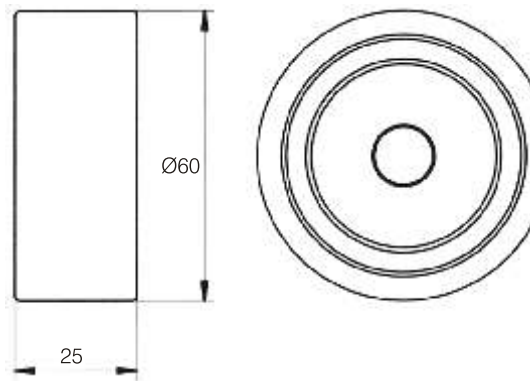
TIB-20130
GT90690



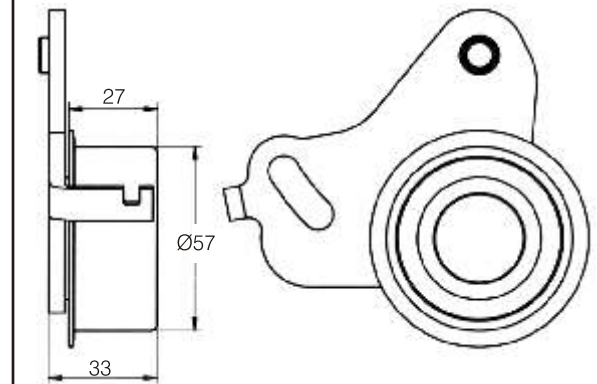
TIB-20140
GT90650



TIB-20150
GT90640



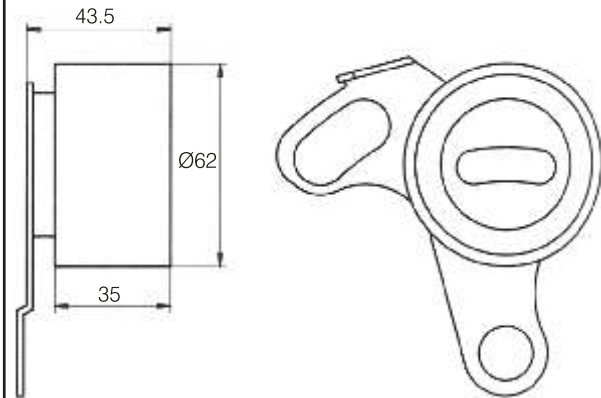
TIB-20160
GT90680



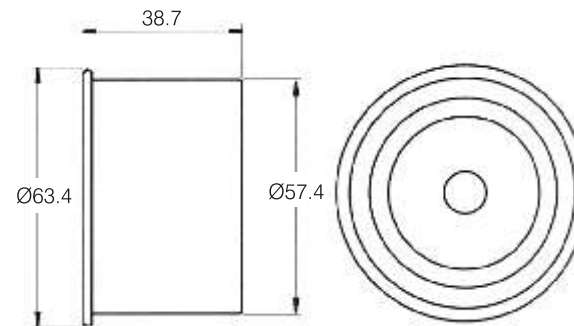
SCHEMATIC DIAGRAM

ICHIBAN

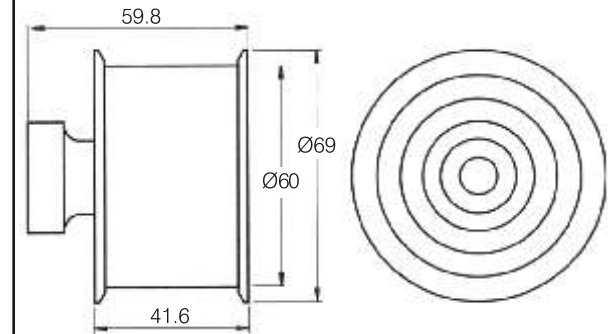
TIB-20170
GT80470



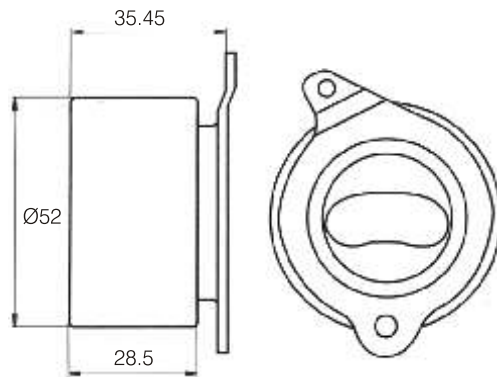
TIB-20180
GT10110



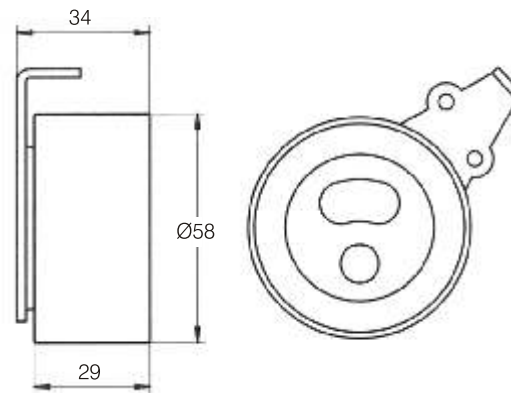
TIB-30010
GT20090



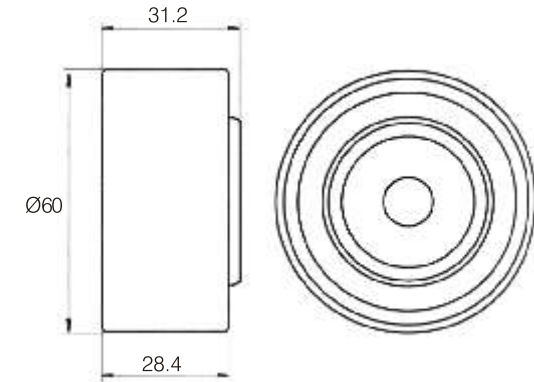
TIB-30020
GT20010



TIB-30030
GT20120/130 GT 80450

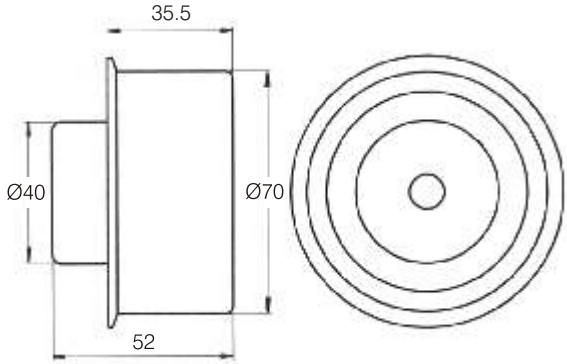


TIB-30040
GT20020

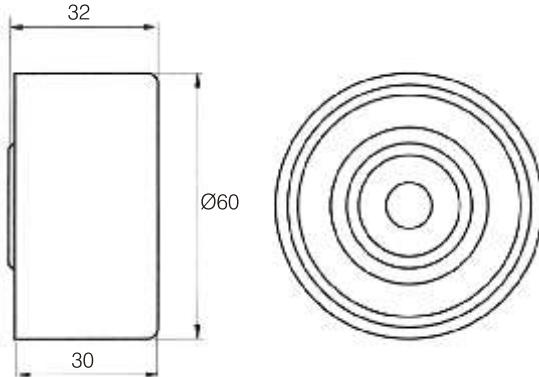


SCHEMATIC DIAGRAM

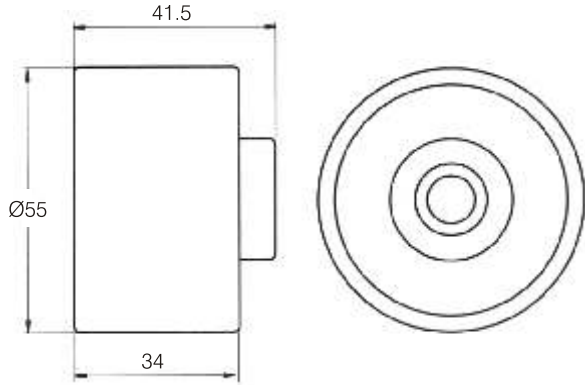
TIB-30050
GT20070



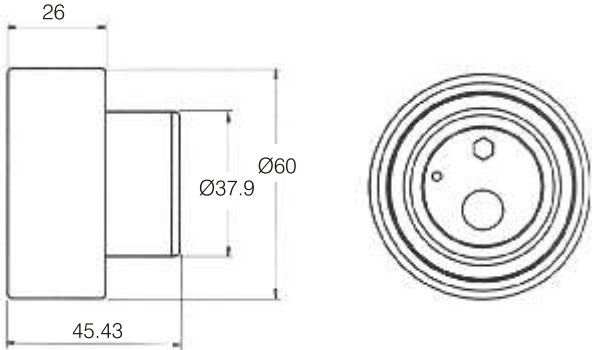
TIB-30060
GT20030



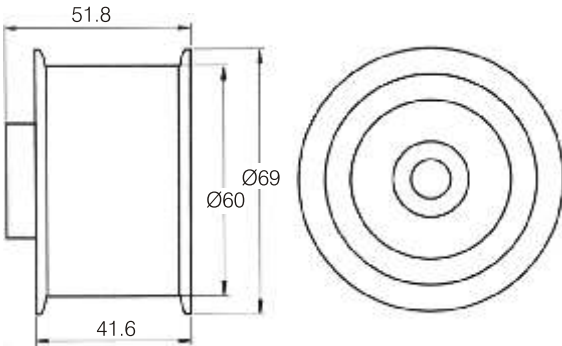
TIB-30070
GT20110



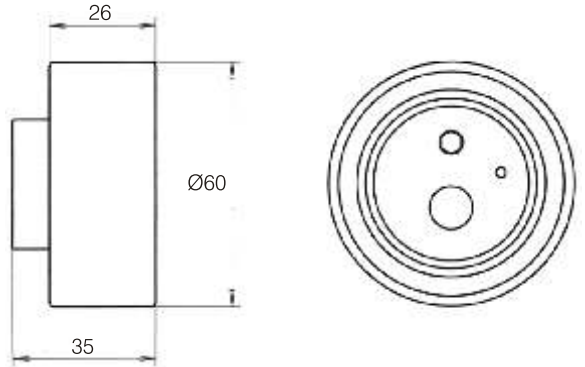
TIB-30080
GT20150



TIB-30090
GT20100



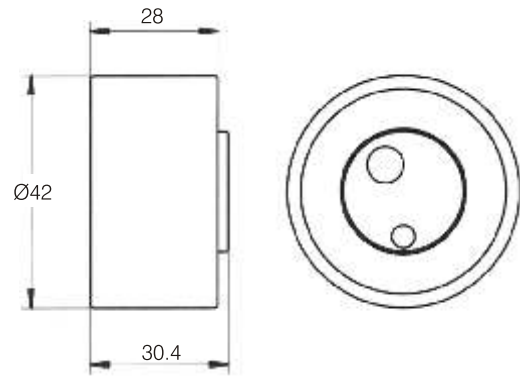
TIB-30100
GT20160



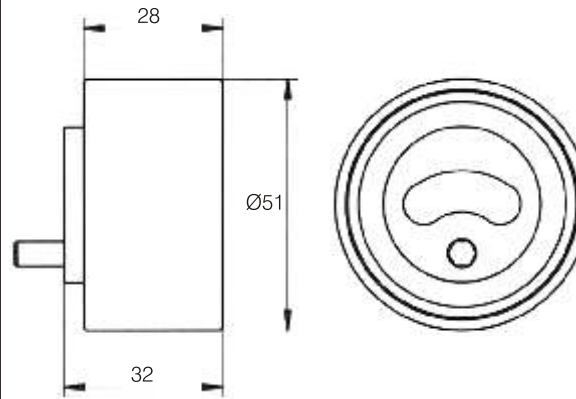
SCHEMATIC DIAGRAM

iChIBAN

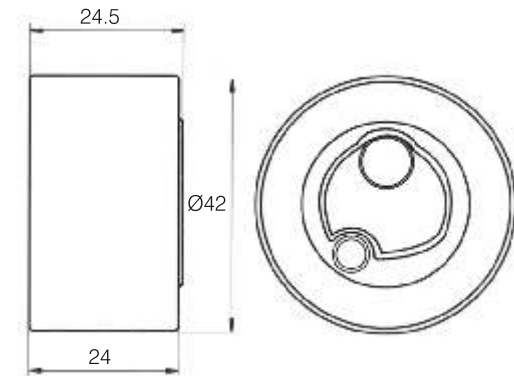
TIB-30110
GT80940



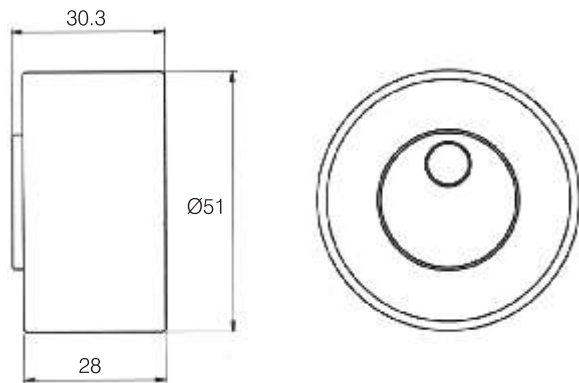
TIB-30130
GT90610



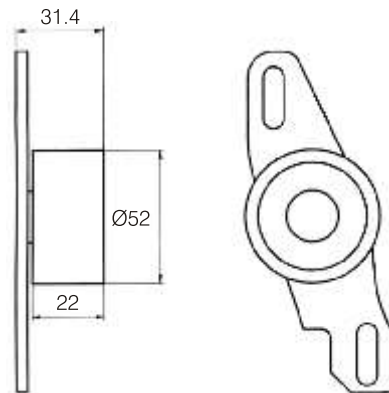
TIB-30140
GT80310



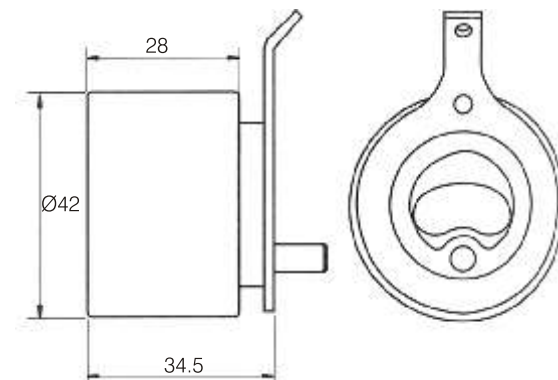
TIB-30150
GT80640



TIB-30160
GT80080



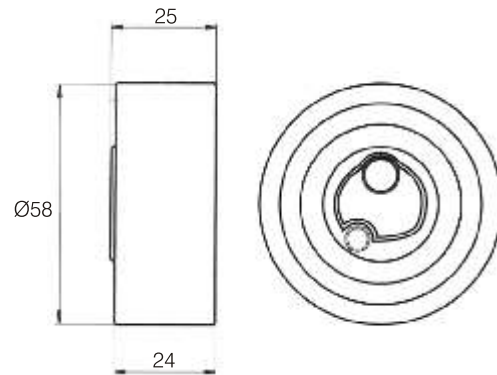
TIB-30170
GT30010



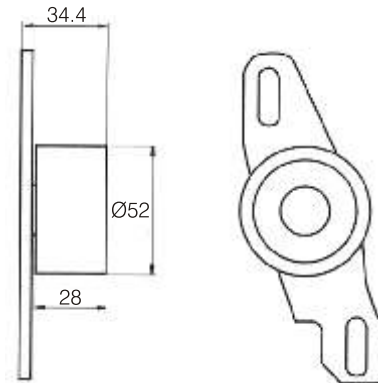
SCHEMATIC DIAGRAM

iChIBAN

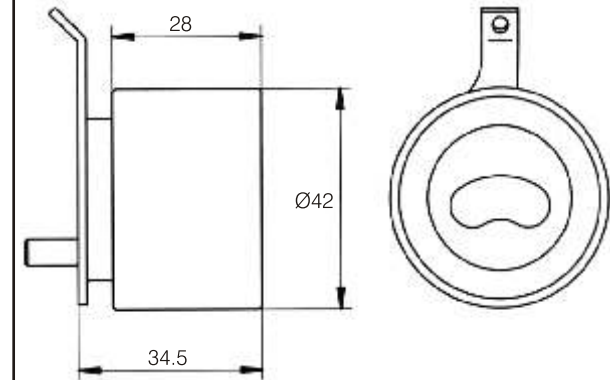
TIB-30180
GT80320



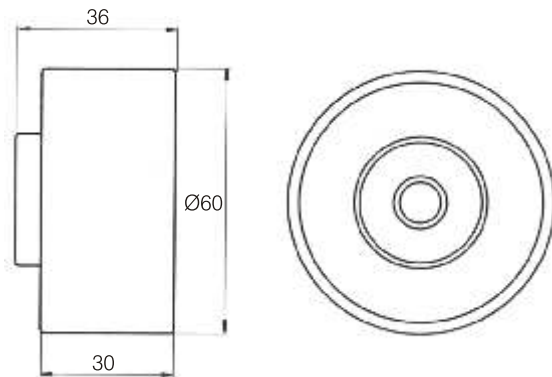
TIB-30190
GT80120



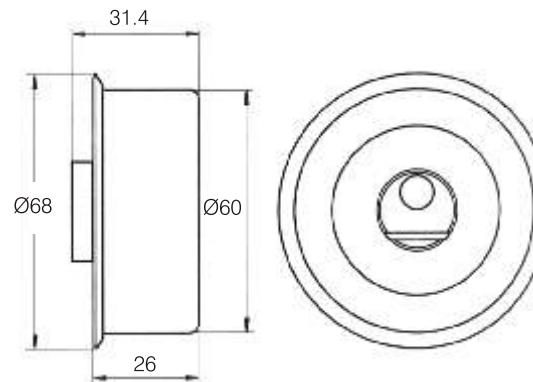
TIB-30240
GT90580



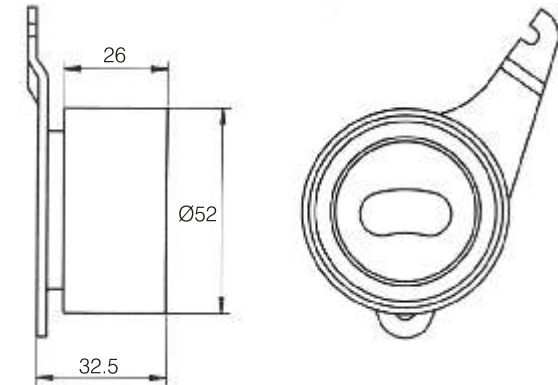
TIB-40010
GT80150



TIB-40020
GT80110



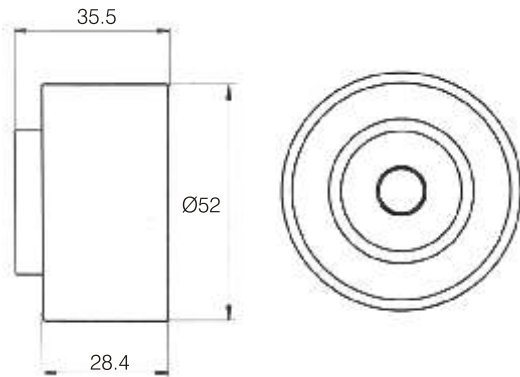
TIB-40030
GT80970



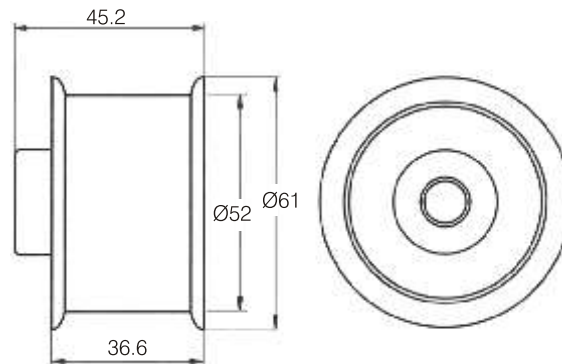
SCHEMATIC DIAGRAM

ICHIBAN

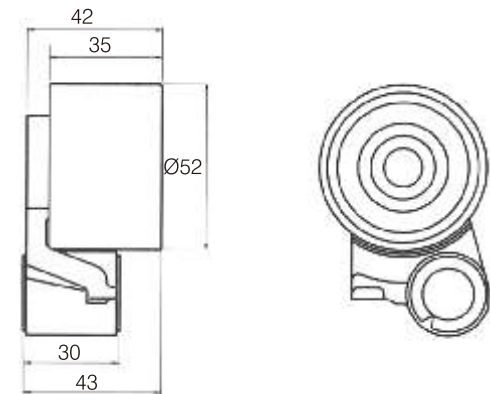
TIB-40040
GT80040



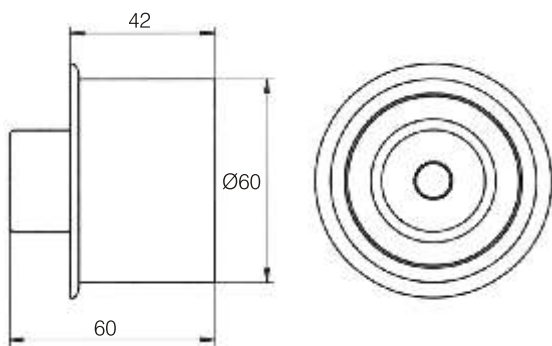
TIB-40050
GT80530



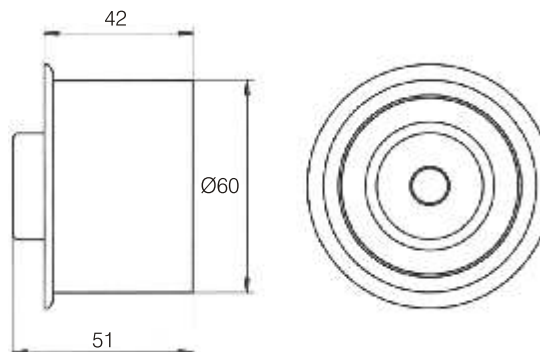
TIB-40060
GT80660



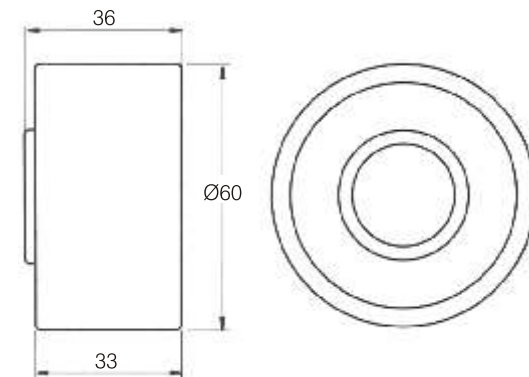
TIB-40070
GT80870



TIB-40080
GT80880



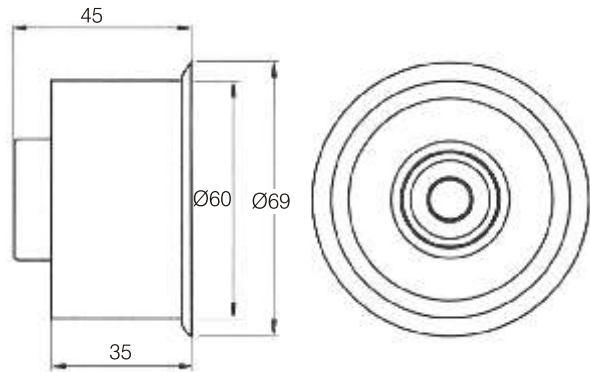
TIB-40090
GT80520



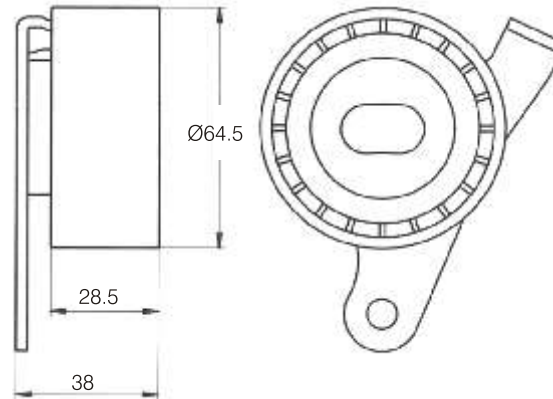
SCHEMATIC DIAGRAM

iCHIBAN

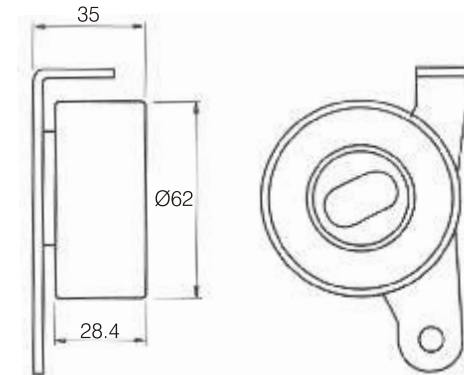
TIB-40100
GT80510



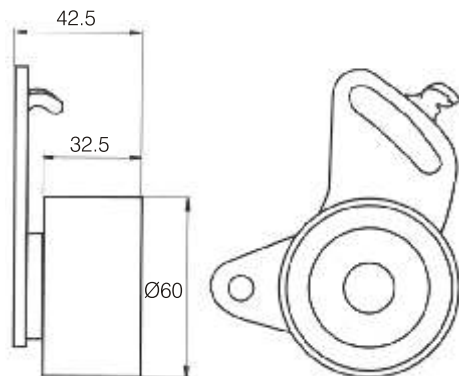
TIB-40120
GT90800



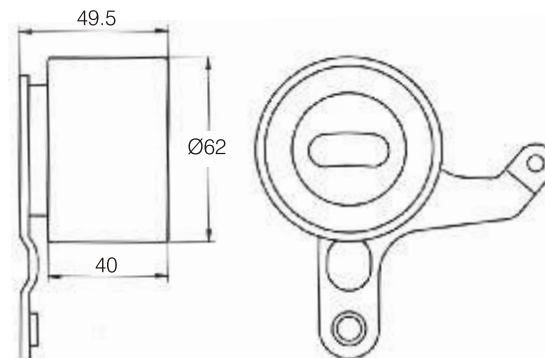
TIB-40130
GT80360



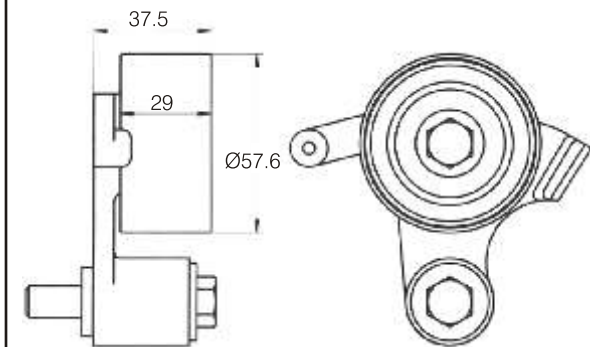
TIB-40140
GT80140



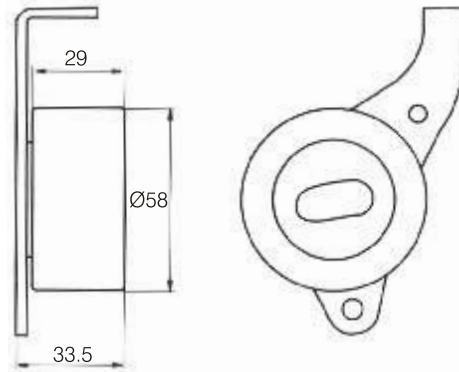
TIB-40150
GT80600



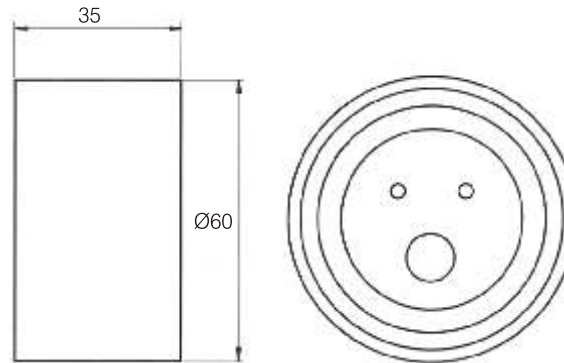
TIB-40160
GT90670



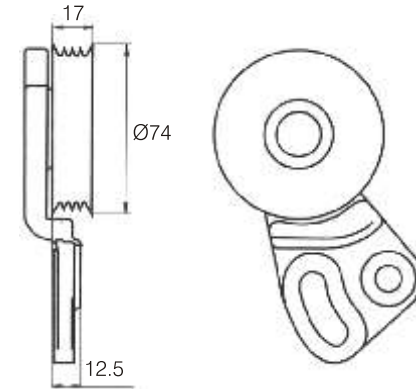
TIB-40170
GT80370



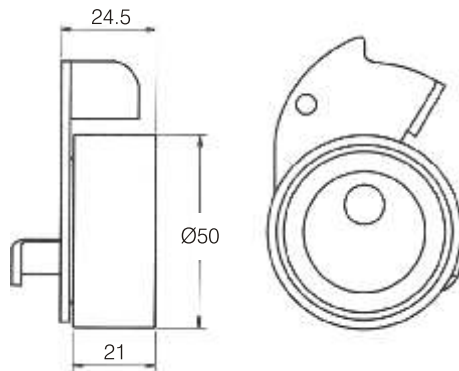
TIB-40180
GT10100



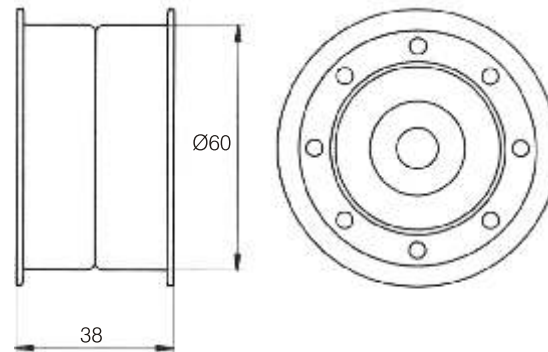
TIB-40190
GT10190



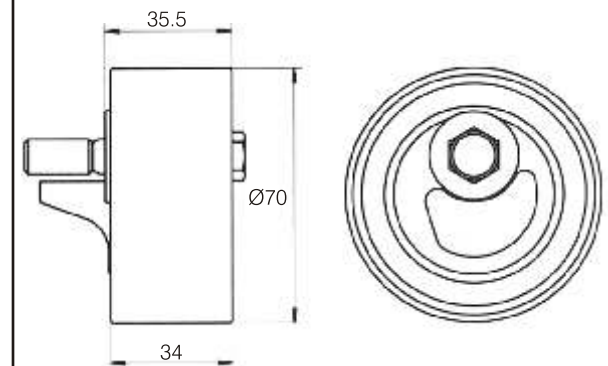
TIB-50010
GT40010



TIB-50020
GT90220

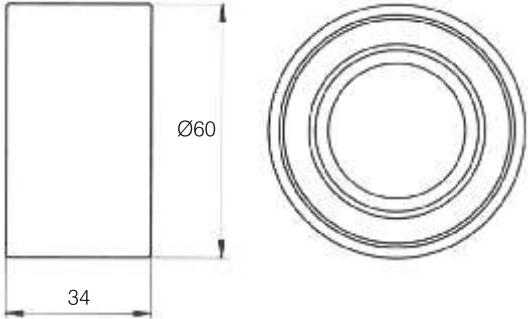


TIB-50030
GT90080

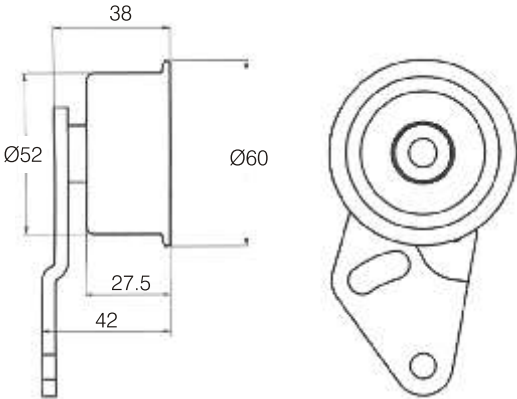


SCHEMATIC DIAGRAM

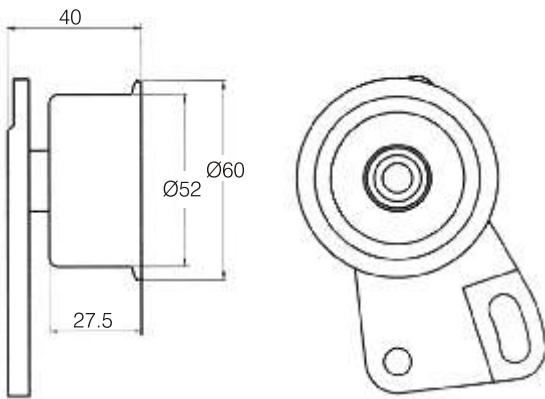
TIB-50040
GT90840



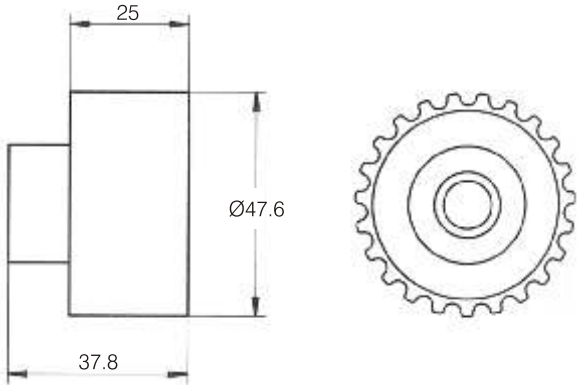
TIB-50050
GT80560



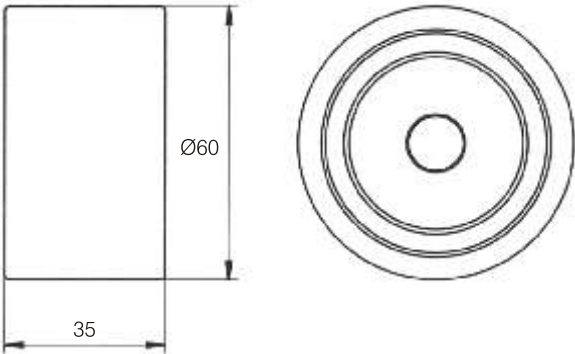
TIB-50060
GT80570



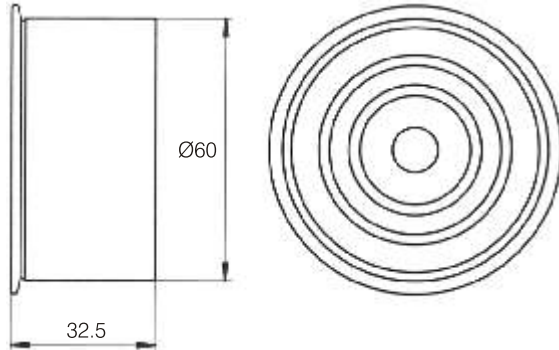
TIB-50070
GT80690



TIB-50080
GT90280



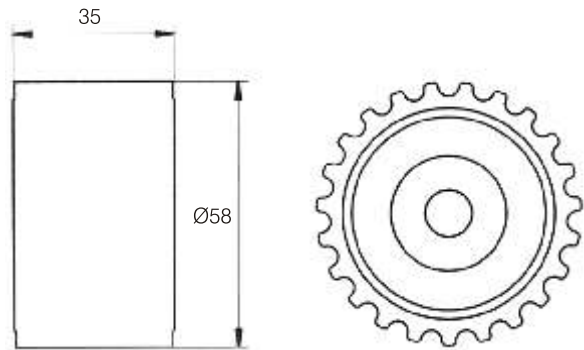
TIB-50090
GT90740



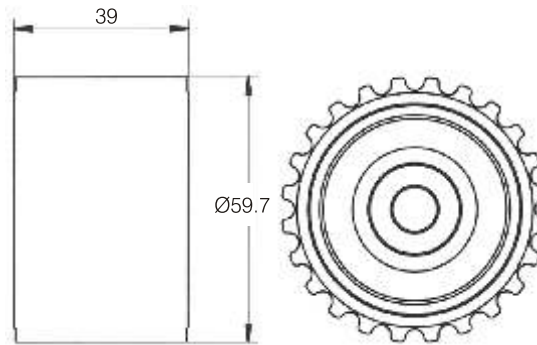
SCHEMATIC DIAGRAM

iCHIBAN

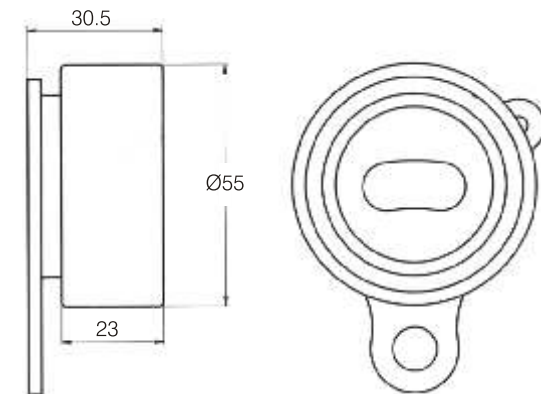
TIB-50110
GT90130



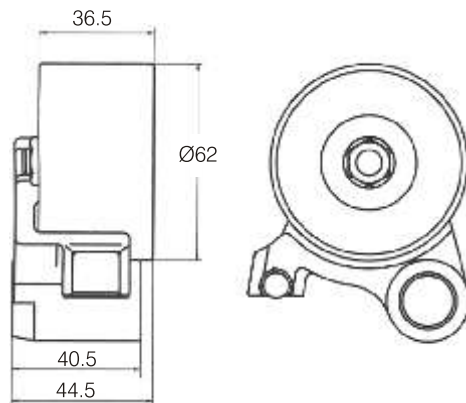
TIB-50120
GT90490



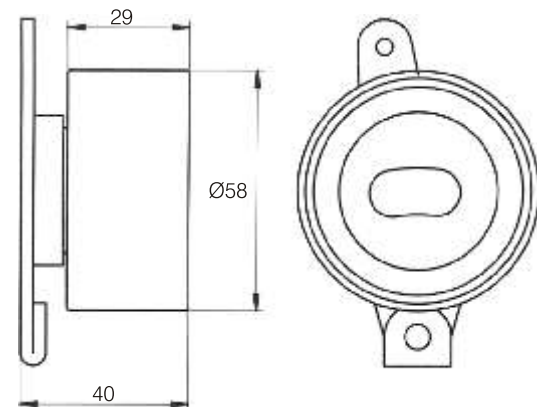
TIB-50130
GT80630



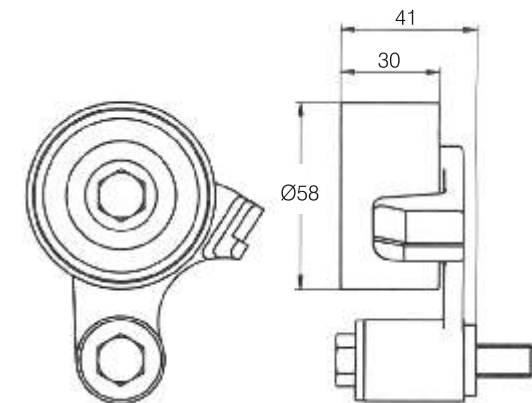
TIB-50140
GT80680



TIB-50150
GT90810



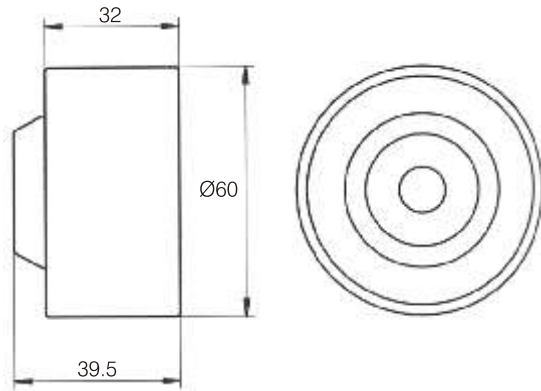
TIB-50160
GT90820



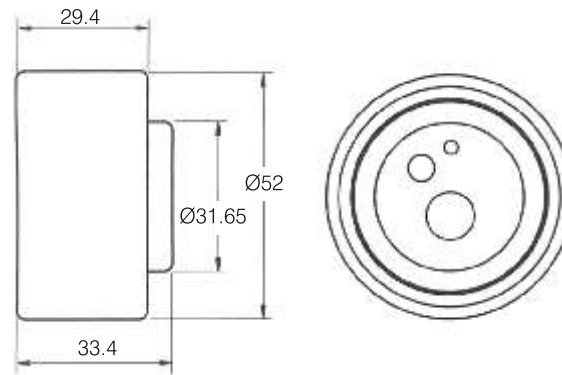
SCHEMATIC DIAGRAM

iCHIBAN

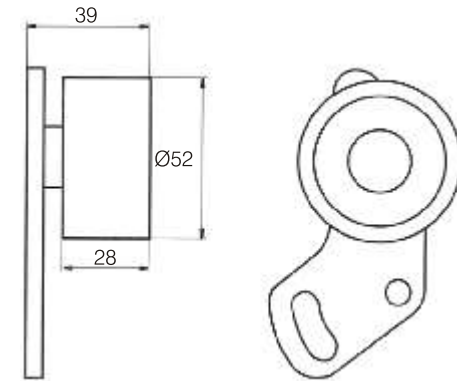
TIB-50170
GT10050



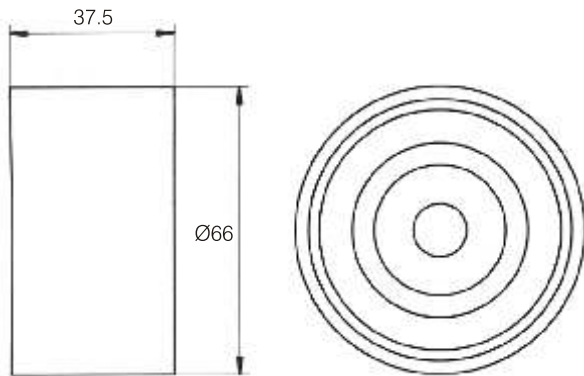
TIB-50180
GT20140



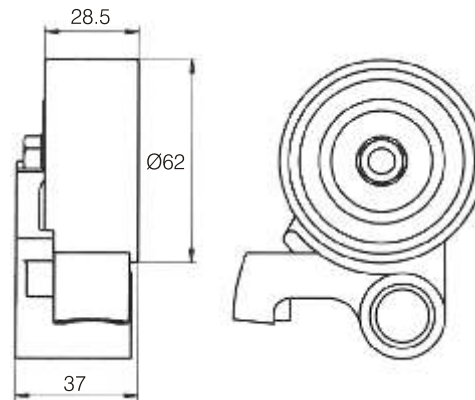
TIB-50250
GT80050



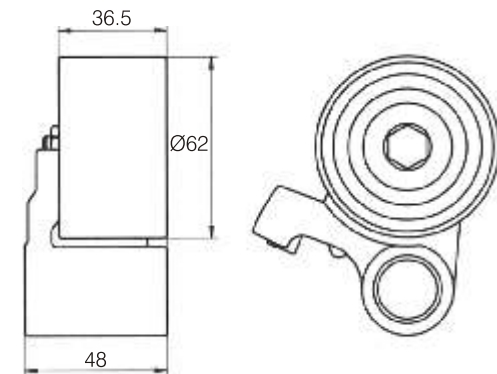
TIB-60010
GT90050



TIB-60020
GT90830

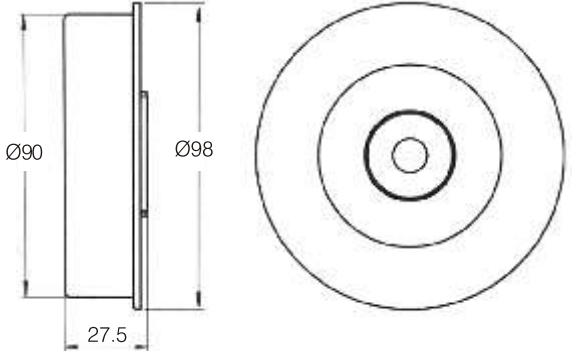


TIB-60030
GT90090

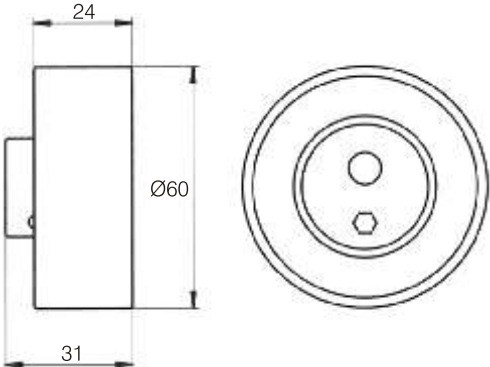


SCHEMATIC DIAGRAM

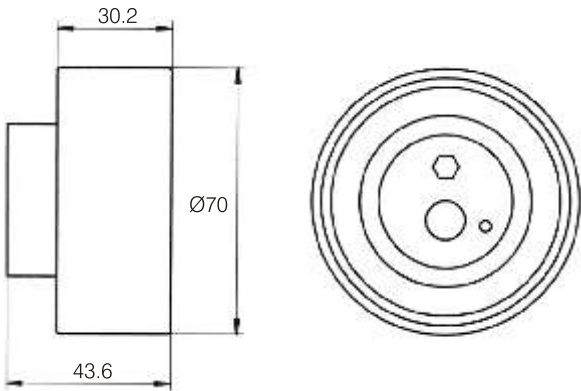
TIB-60040
GT10090



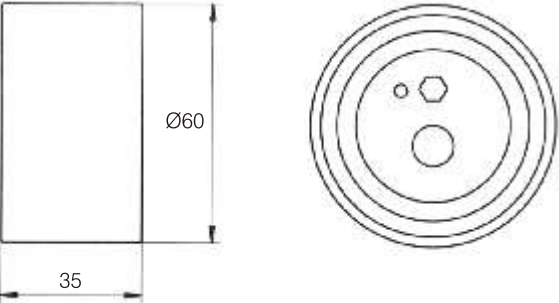
TIB-60050
GT90900



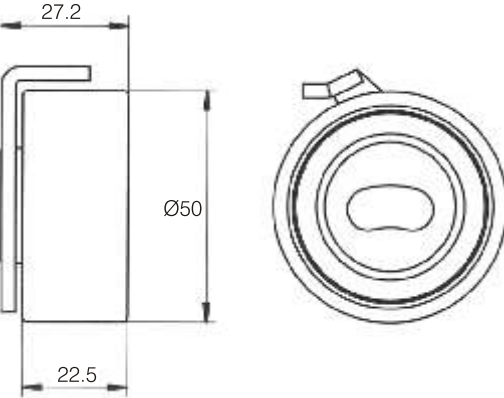
TIB-60060
GT80760



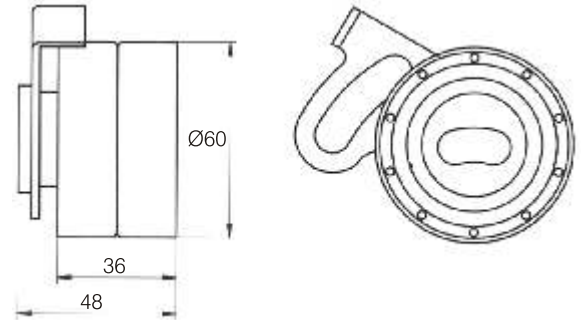
TIB-60070
GT80770



TIB-60080
GT80780



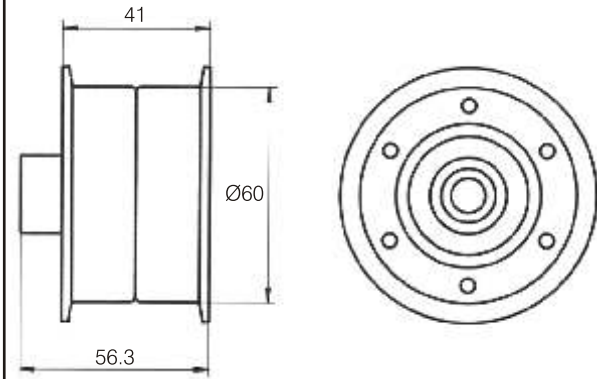
TIB-60090
GT80790



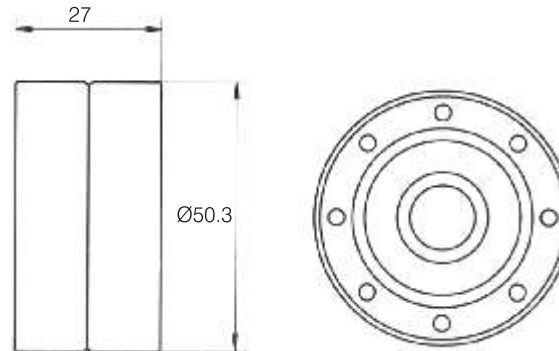
SCHEMATIC DIAGRAM

iCHIBAN

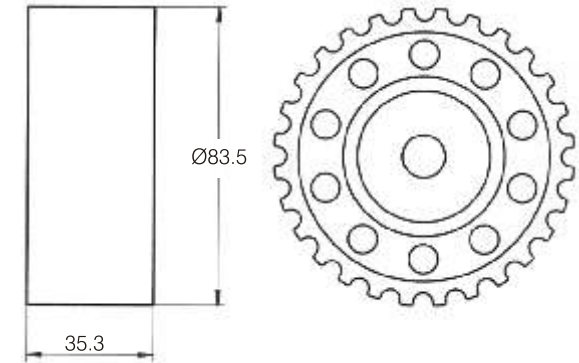
TIB-60100
GT80740



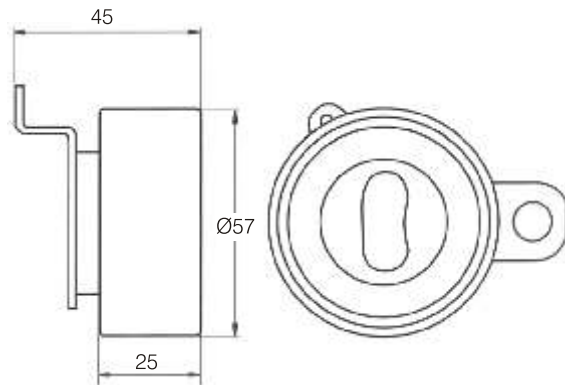
TIB-60110
GT80730



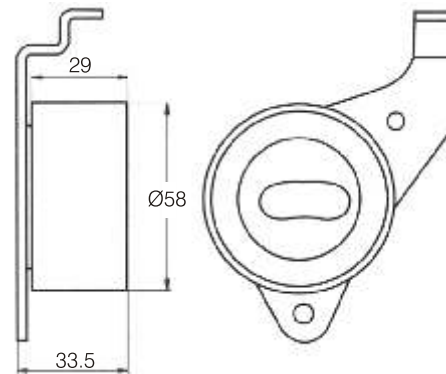
TIB-60120
GT80720



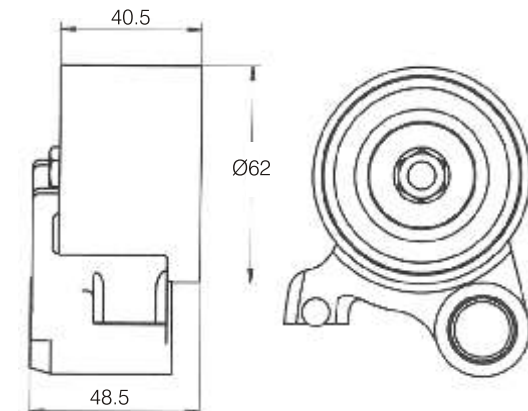
TIB-60130
GT80430



TIB-60140
GT80020

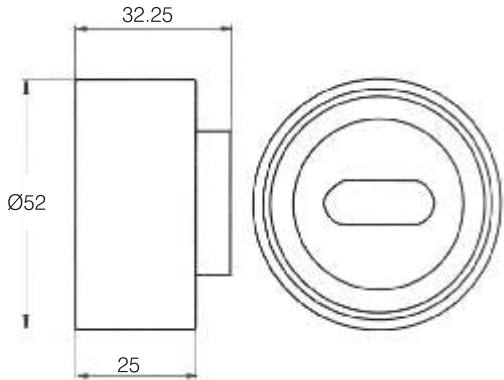


TIB-60150
GT90450

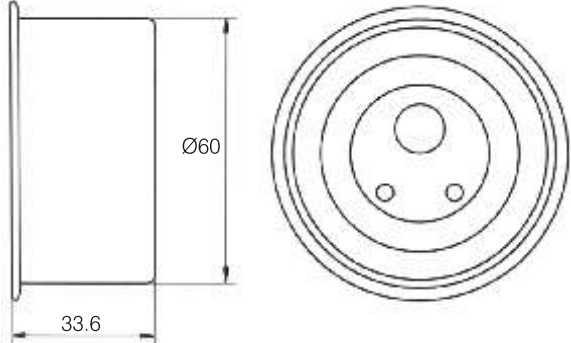


SCHEMATIC DIAGRAM

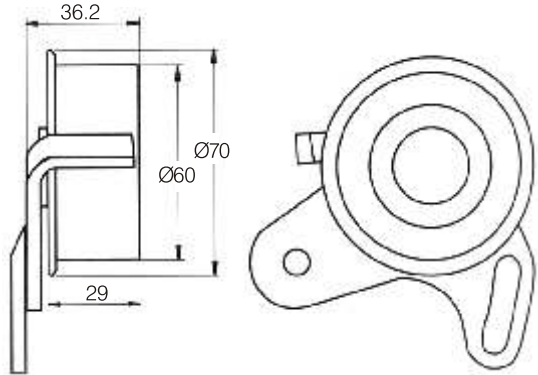
TIB-60160
GT20040



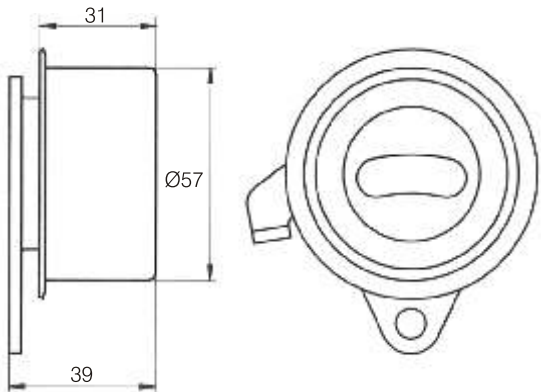
TIB-60170
GT10060



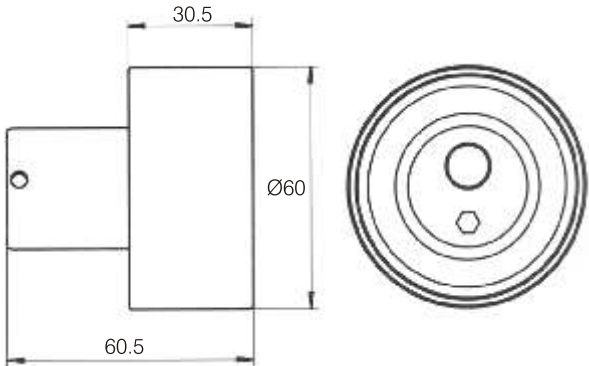
TIB-60180
GT10022



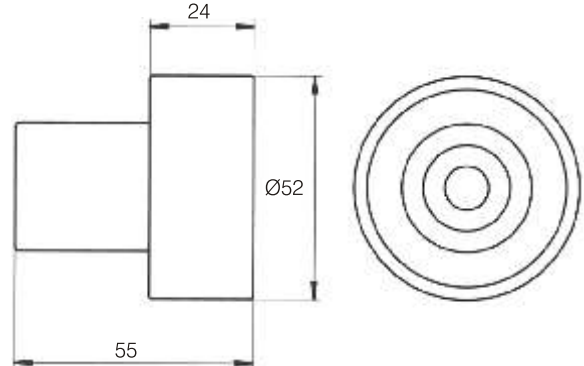
TIB-70030
GT60030



TIB-70060
GT90600



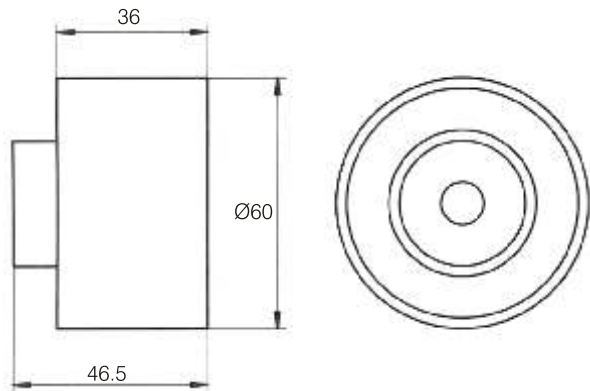
TIB-70070
GT90910



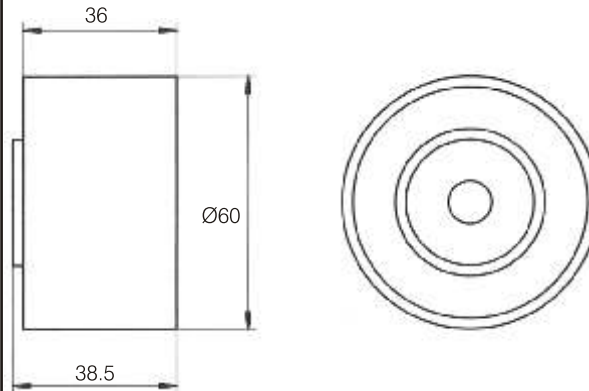
SCHEMATIC DIAGRAM

ICHIBAN

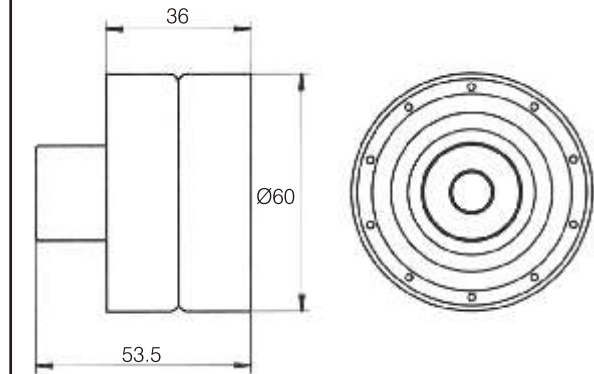
TIB-70080
GT80920



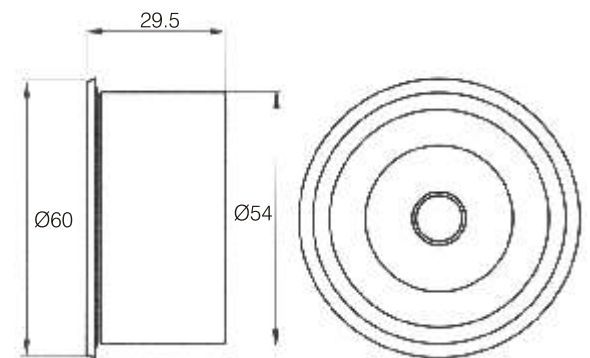
TIB-70090
GT80910



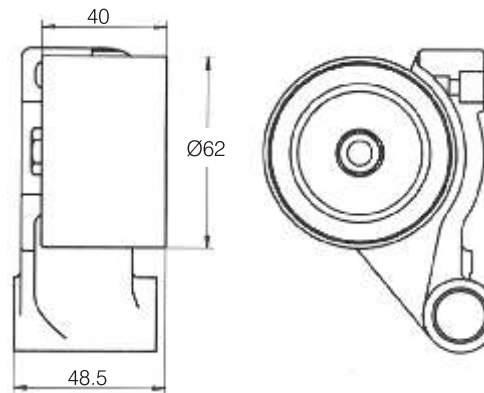
TIB-70100
GT90160



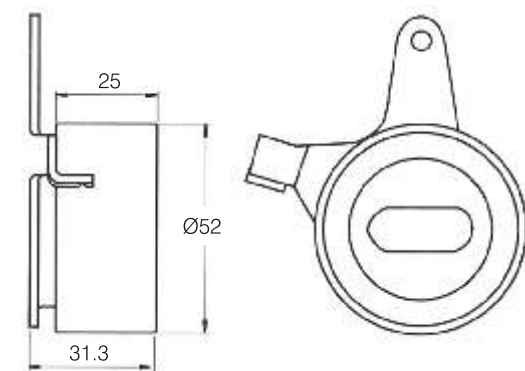
TIB-70110
GT80380



TIB-70140
GT90340



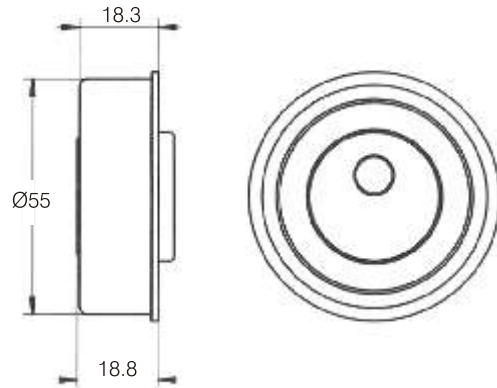
TIB-70160
GT20050



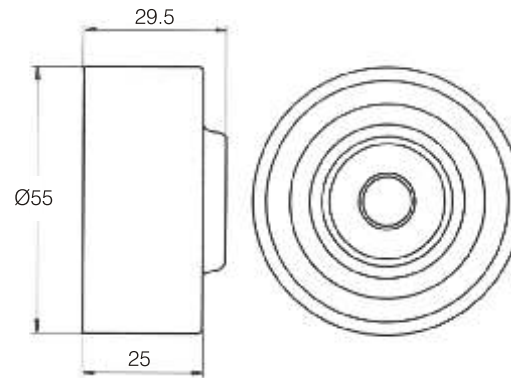
SCHEMATIC DIAGRAM

ICHIBAN

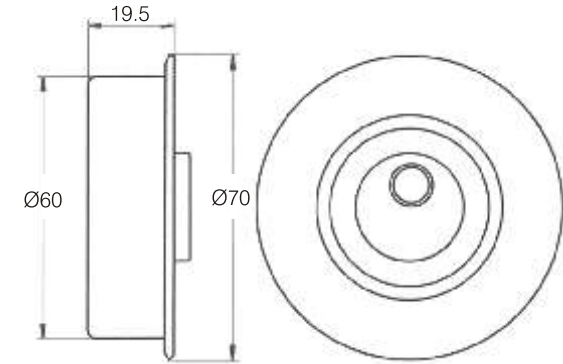
TIB-70170
GT90700



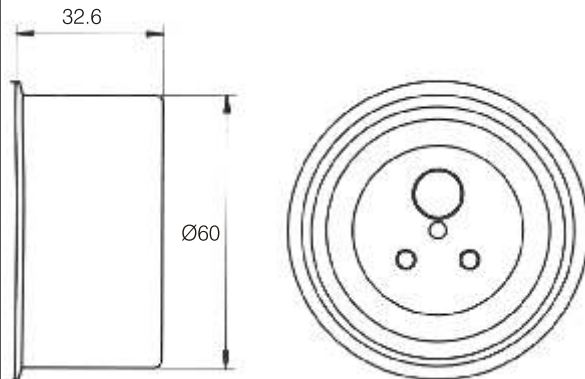
TIB-70180
GT10170



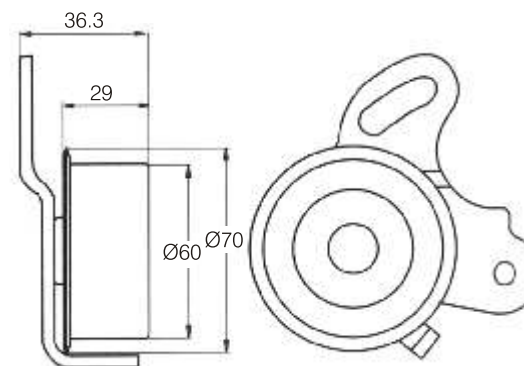
TIB-80010
GT80480



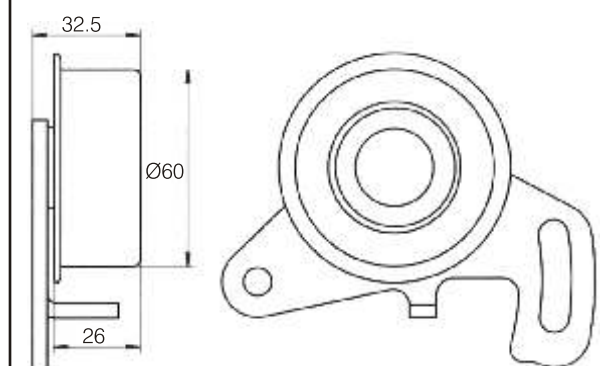
TIB-80020
GT80800



TIB-80030
GT80090



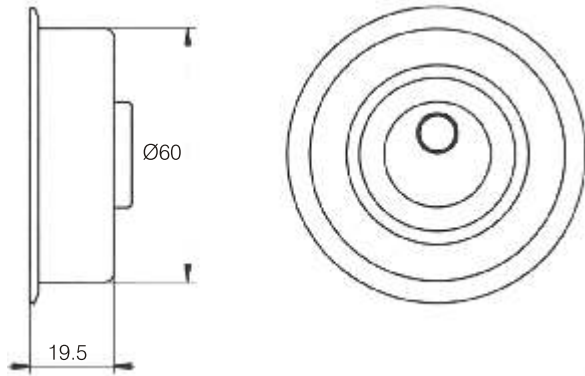
TIB-80040
GT80890



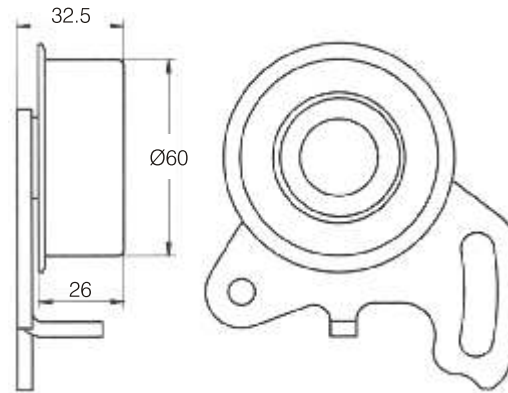
SCHEMATIC DIAGRAM

ICHIBAN

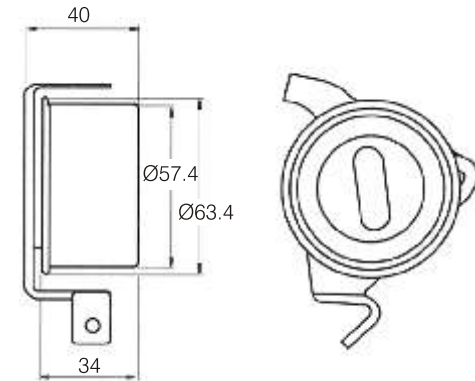
TIB-80050
GT80950



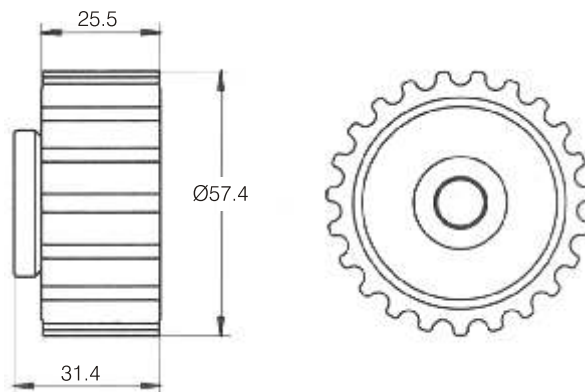
TIB-80060
GT80900



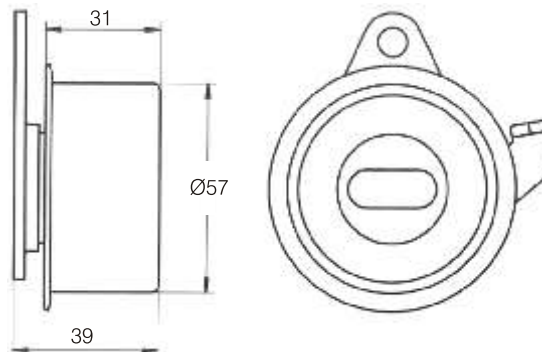
TIB-80070
GT80400



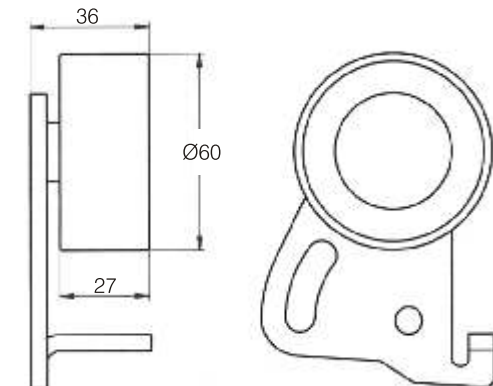
TIB-80080
GT80980



TIB-80090
GT80990



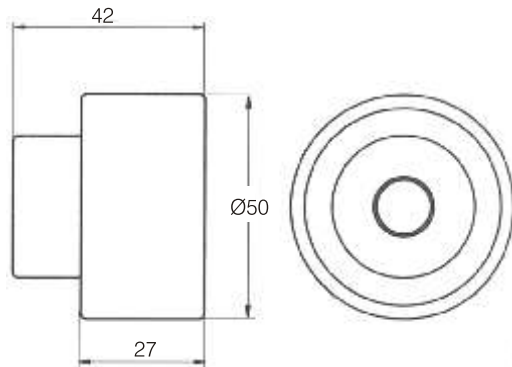
TIB-80100
GT90890



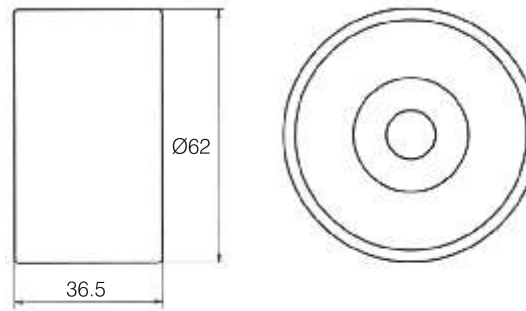
SCHEMATIC DIAGRAM

iCHIBAN

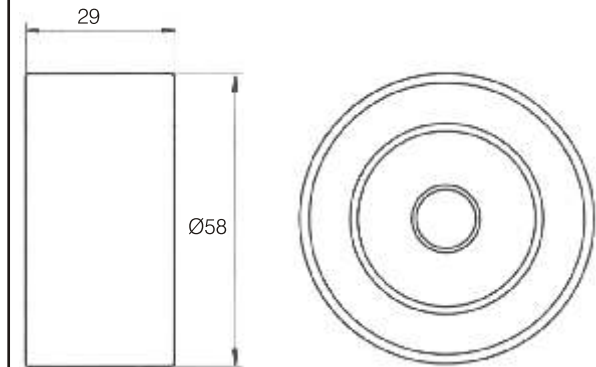
TIB-80110
GT80350



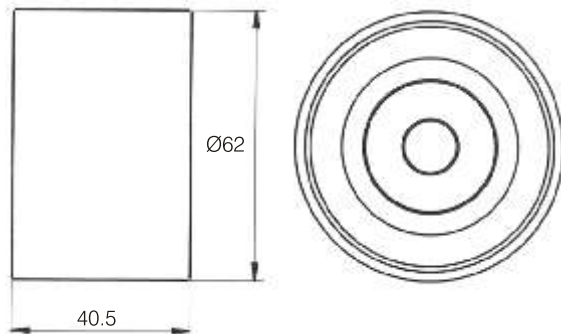
TIB-80120
GT80540



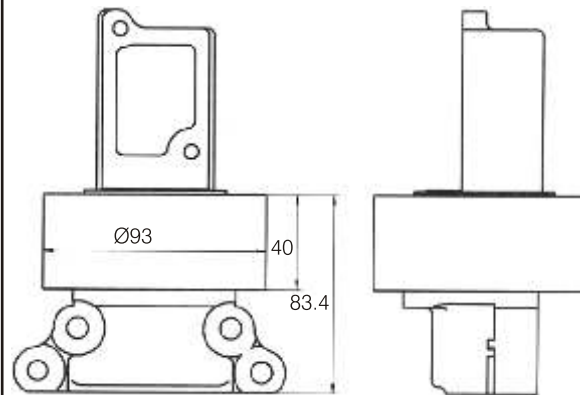
TIB-80130
GT80030



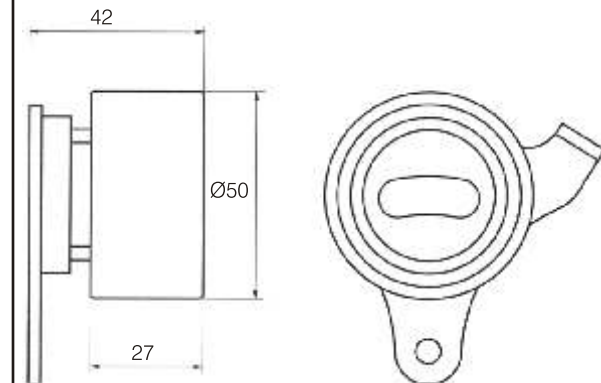
TIB-80140
GT90460



TIB-80160
GT90440



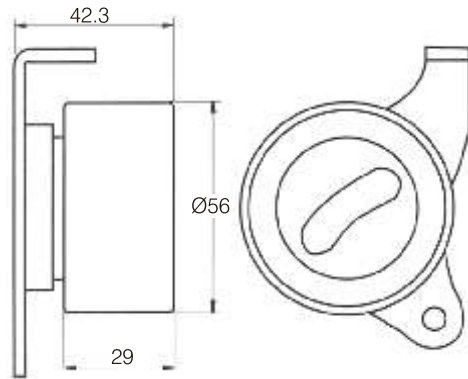
TIB-80170
GT80700



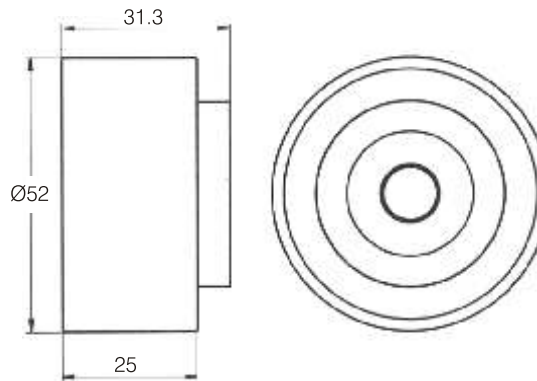
SCHEMATIC DIAGRAM

iCHIBAN

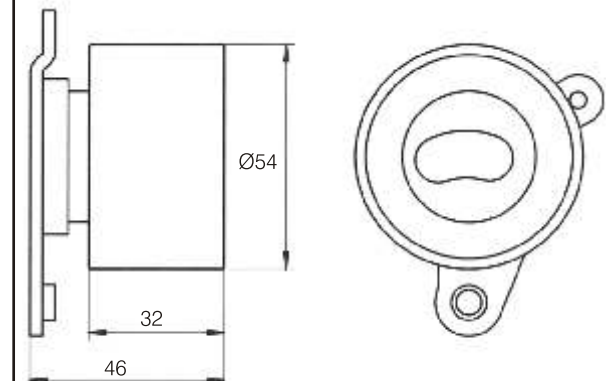
TIB-80180
GT80420



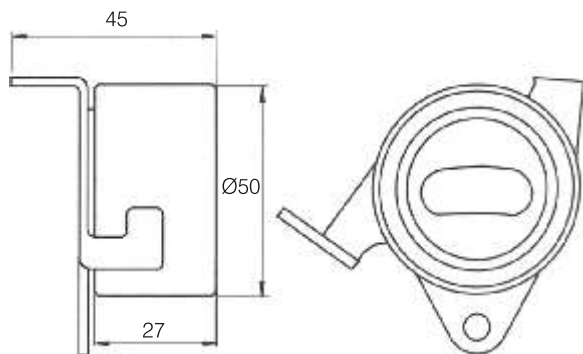
TIB-80190
GT20060



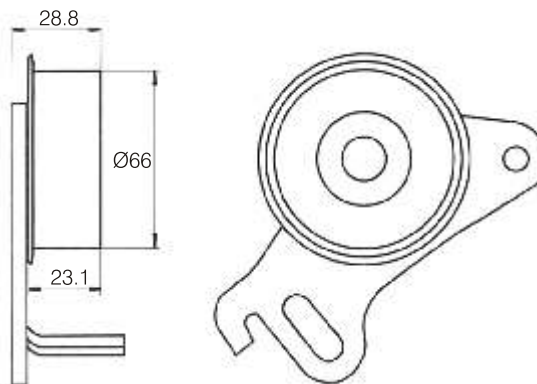
TIB-80220
GT90260



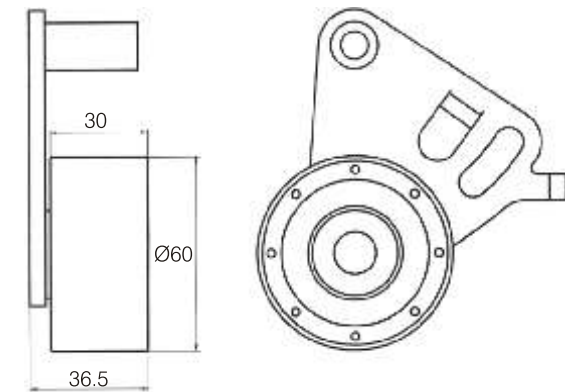
TIB-90020
GT80410



TIB-90030
GT10130



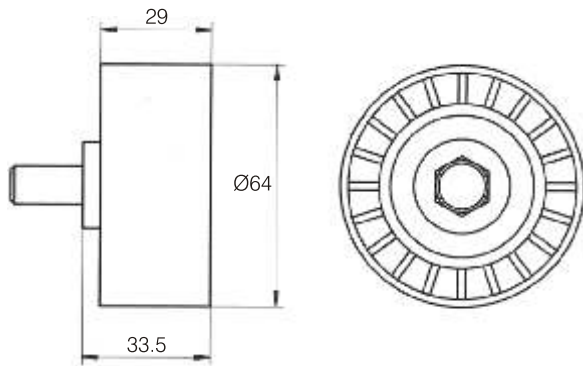
TIB-90040
GT80620



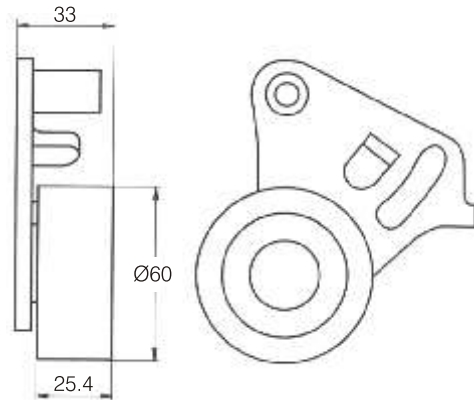
SCHEMATIC DIAGRAM

ICHIBAN

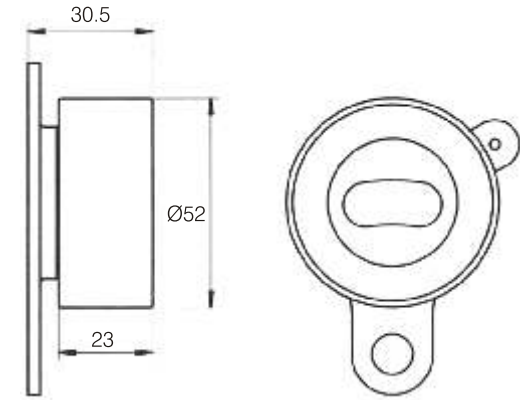
TIB-90050
GT80750



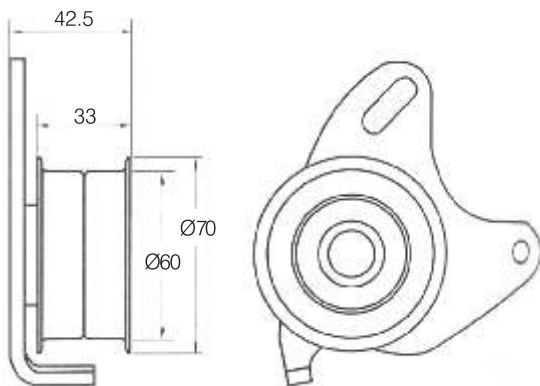
TIB-90060
GT80250



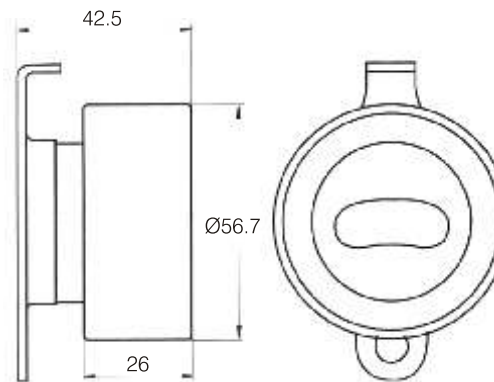
TIB-90070
GT80010



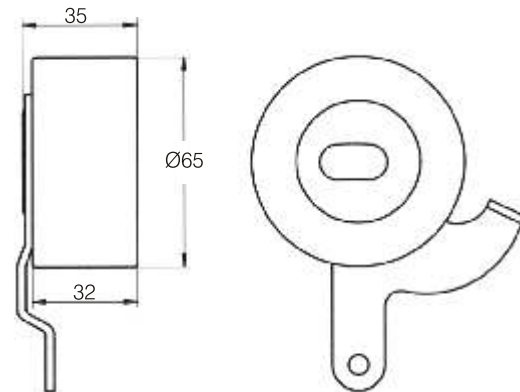
TIB-90080
GT10140



TIB-90090
GT80100



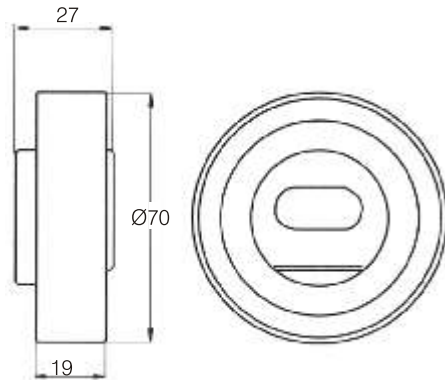
TIB-90100
GT80550



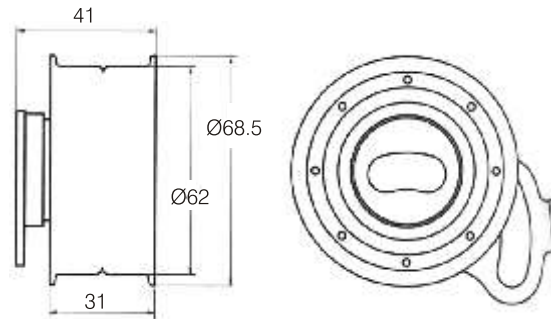
SCHEMATIC DIAGRAM

ICHIBAN

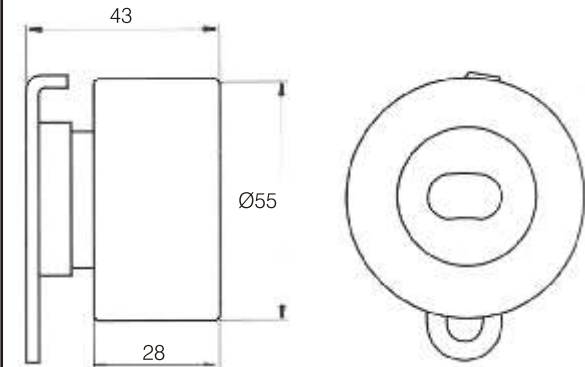
TIB-90110
GT80390



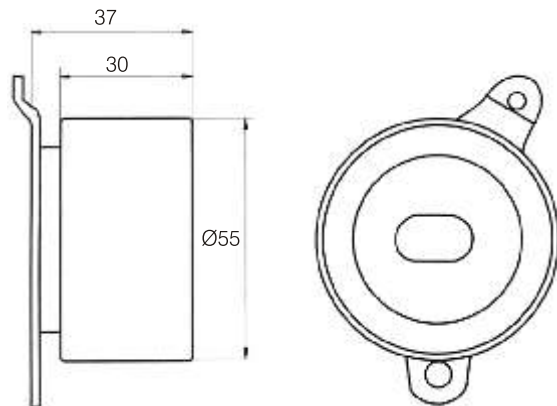
TIB-90120
GT80710



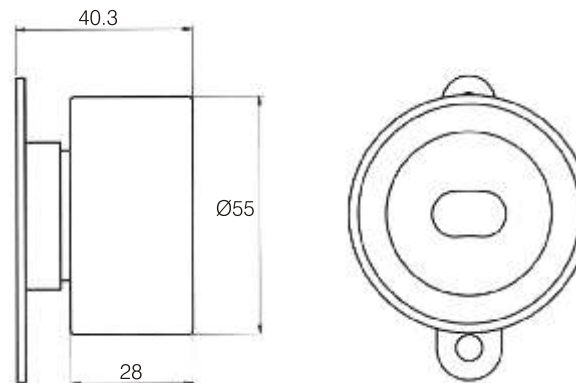
TIB-90130
GT80590



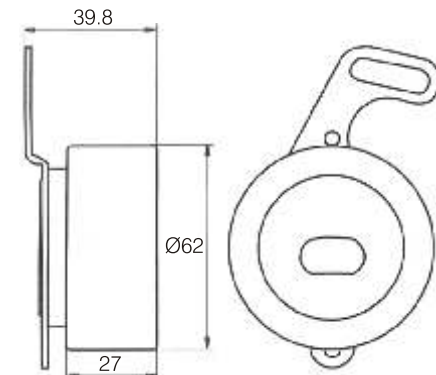
TIB-90140
GT80580



TIB-90150
GT80650



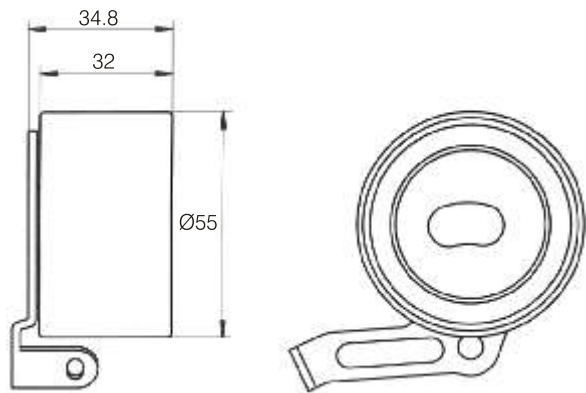
TIB-90160
GT80440



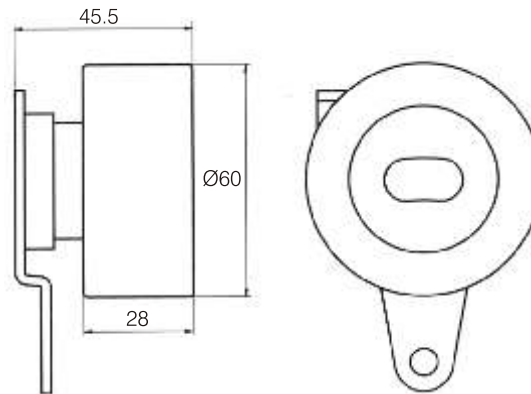
SCHEMATIC DIAGRAM

iCHIBAN

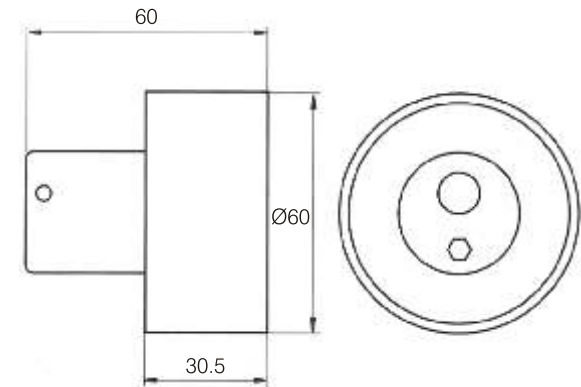
TIB-90170
GT80860



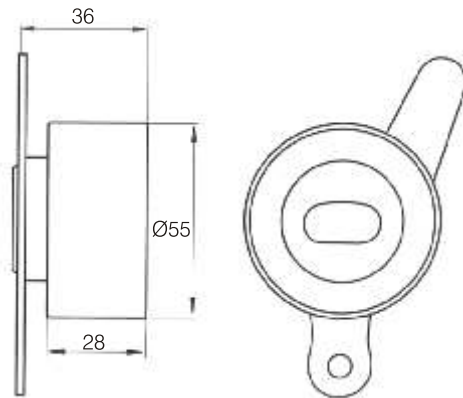
TIB-90180
GT80610



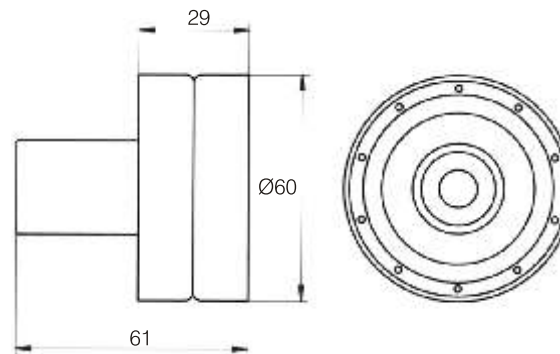
TIB-90190
GT80340



TIB-90200
GT80170



TIB-90210
GT80810



TIB-90230
GT10120

